

# hurlcon heating

hurlcon

## Lamborghini Wall Hung Gas Fired Boilers



- ✓ Automatic electronic ignition
- ✓ Long life and maximum efficiency
- ✓ Wide Range of flue options
- ✓ 5 year warranty on heat exchanger and 12 months on other components



*Lamborghini*  
CALORECLIMA

**hurlcon**



**Lamborghini**  
CALORECLIMA

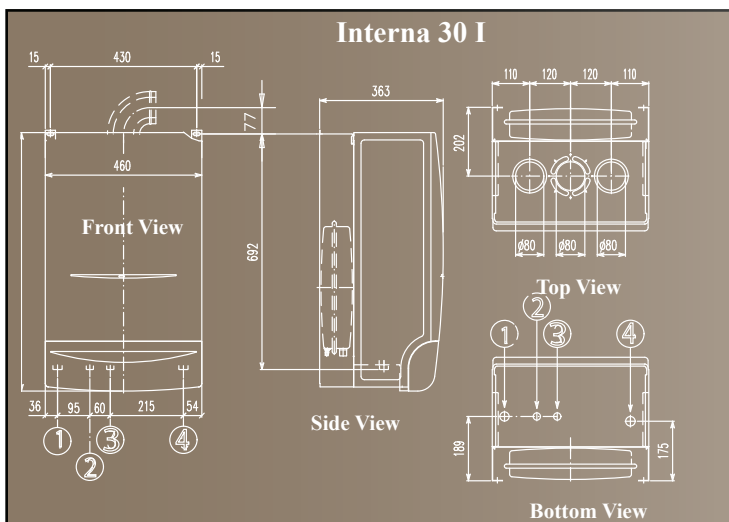
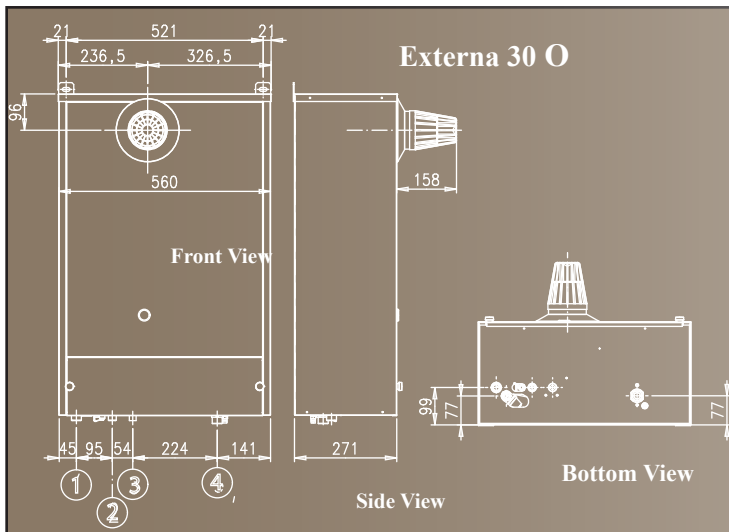
# Lamborghini Wall Hung Gas Fired Boilers

The Lamborghini 30 I and 30 O power flued wall mounted boilers have been styled by one of Italy's top design studios to fit unobtrusively into any home environment. All models feature automatic electronic ignition, high efficiency copper heat exchangers and fully modulating stainless steel burners to ensure long life and maximum efficiency in use. They also include a useful frost protection control, which ensures the boiler can never freeze up. Lamborghini 30 I and 30 O boilers meet the highest European standards of manufacture and carry the CE approval mark. Lamborghini is part of the Ferrol group and is renowned for its manufacturing quality and operational reliability and every Lamborghini 30 I and 30 O carries a comprehensive guarantee with service, spare parts backup. Lamborghini has developed a wide range of flue options for its many products and the Lamborghini 30 I and 30 O are no exception. With the multi-directional fan assisted flue and flue lengths, these versatile boilers can offer total flexibility with installation.

More than not the Lamborghini 30 I and 30 O boilers will be a straight forward replacement for any older style boiler. Simple and uncomplicated in design, Lamborghini 30 I and 30 O boilers feature tried and tested high quality components throughout. They have been designed for ease of installation and servicing with instant access to all major components from the front of the boilers.



Models Lamborghini		30 I	30 O	
Nominal heat input	Natural gas	Max.kW	30	30
		Min.kW	17	17
	Universal LPG	Max.kW	27.9	27.9
		Min.kW	15.6	15.6
Boiler Water capacity	Litres	1.7	1.7	
Expansion vessel capacity	Litres	10	10	
Pressure relief valve setting	kPa	300	300	
Weight with packaging	kg	41.5	51	
Fittings	1 System flow	3/4	3/4	
	2 System delivery	1/2	1/2	
	3 Gas inlet	1/2	1/2	
	4 System return	3/4	3/4	
Gas consumption	Natural gas	Max.MJ/h	132	132
		Min.MJ/h	77.6	7.6
	Universal LPG	Max.MJ/h	120	120
		Min. MJ/h	69.7	69.7
Injector nozzles	no. of injectors	no.	16	16
	size Natural gas	mm	1.35	1.35
	size Universal LPG	mm	0.77	0.77
Burner Pressure	Natural Gas	Max.kPa	0.83	0.83
		Min. kPa	0.25	0.25
	Universal LPG	Max. kPa	2.5	2.5
		Min. kPa	0.7	0.7



**hurlcon** Authorised Australian Distributor  
for Lamborghini Caloreclima S.p.A

**Melbourne:** 03 9554 2275      **Townsville:** 07 4750 3100  
**Sydney:** 02 9853 2100      **Adelaide:** 08 8152 7600  
**Brisbane:** 07 3308 5400      **Perth:** 08 9350 2600  
**Gold Coast:** 07 5552 2600      **sales@hurlconheating.com.au**

[www.hurlconheating.com.au](http://www.hurlconheating.com.au)