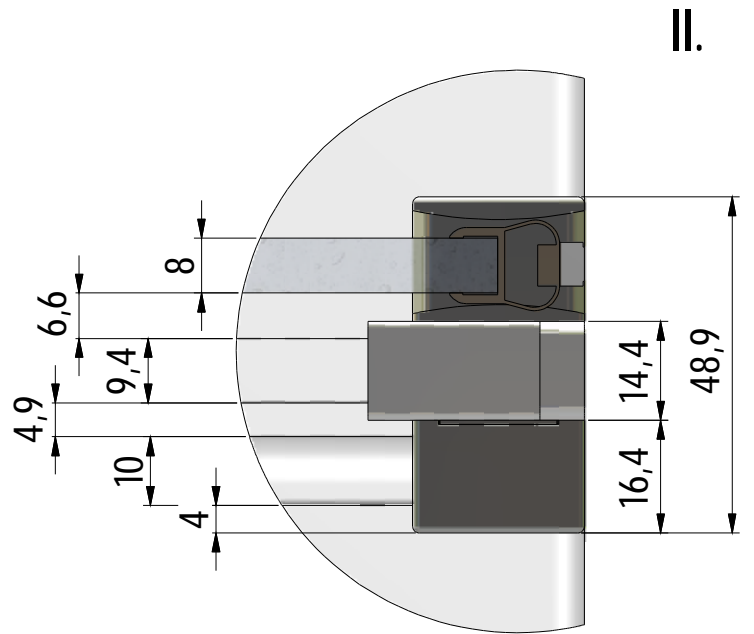
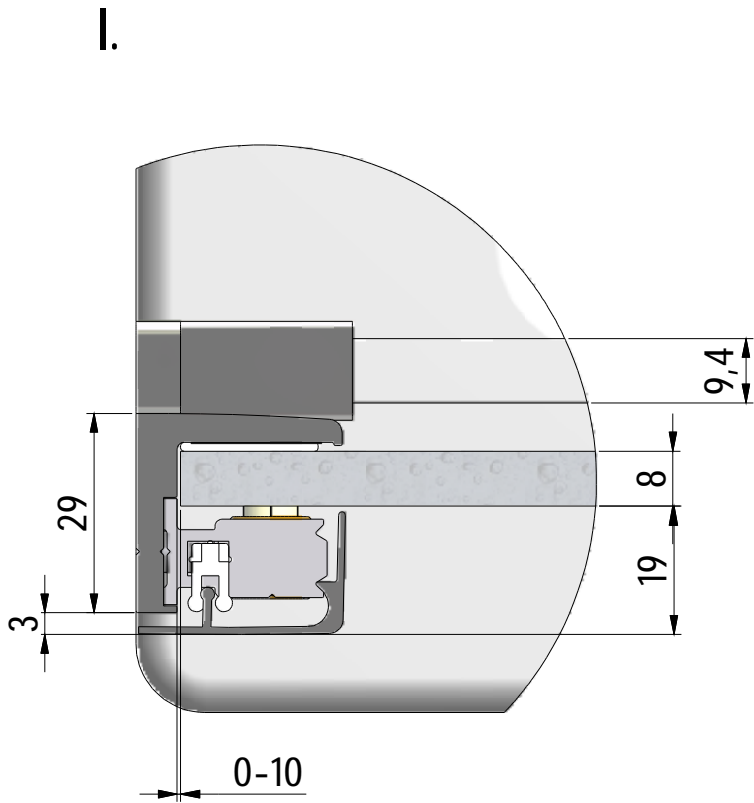
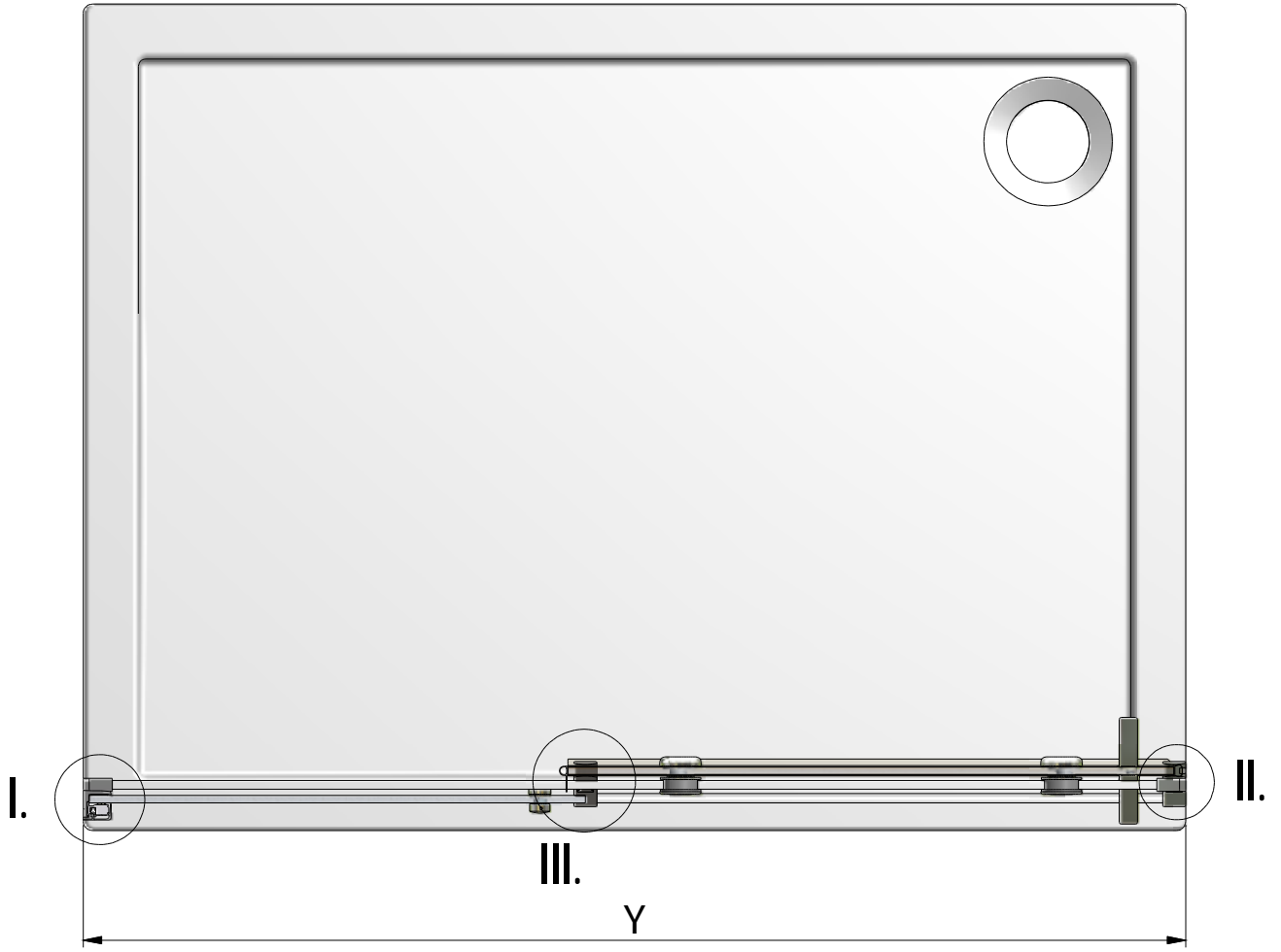
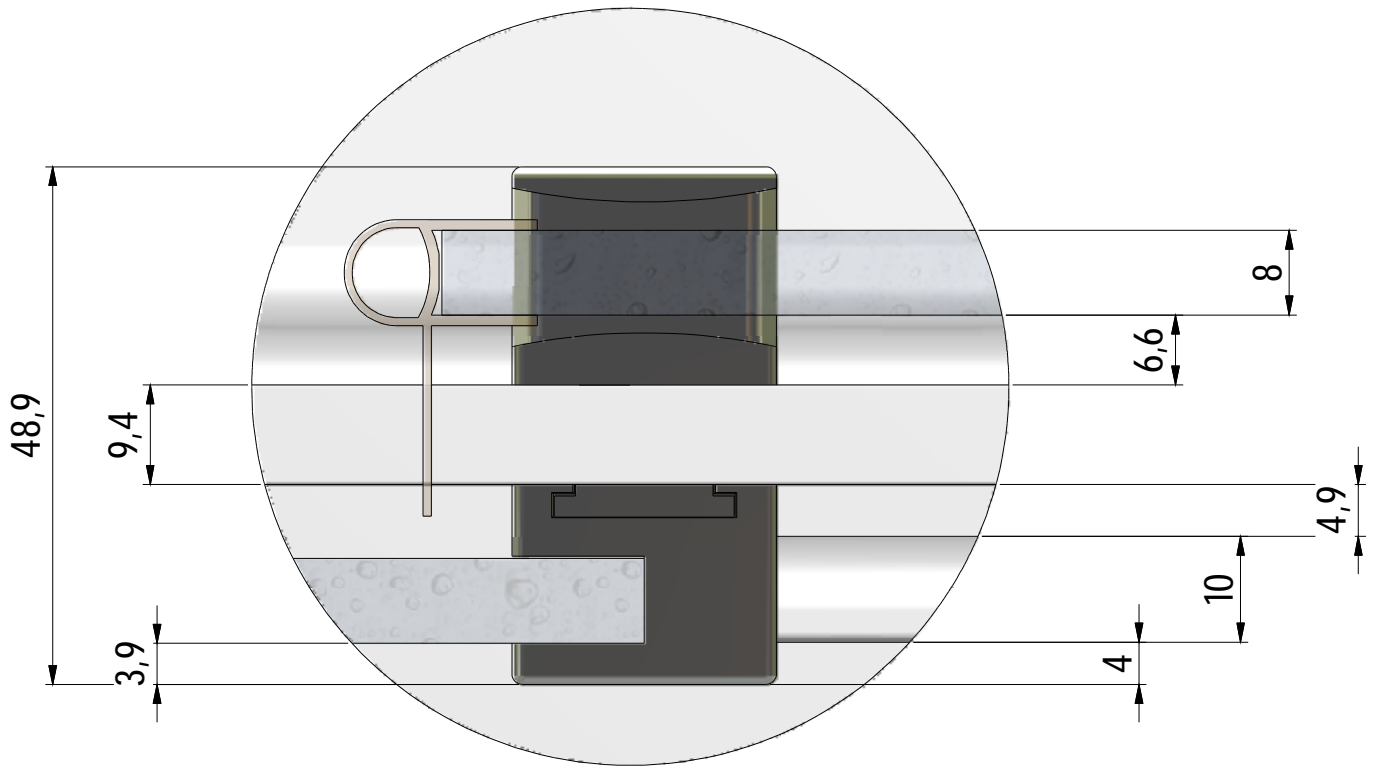


AMD2



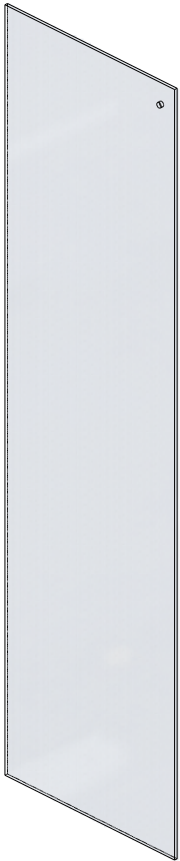


III.

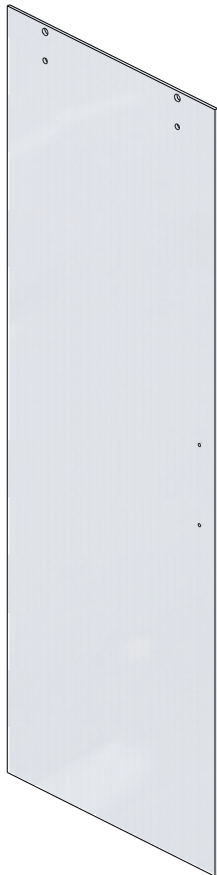


AMD2	Y (mm)	
	MIN	MAX
1200	1100	1200
1300	1200	1300
1400	1300	1400
1500	1400	1500
1600	1500	1600
1700	1600	1700
1800	1700	1800

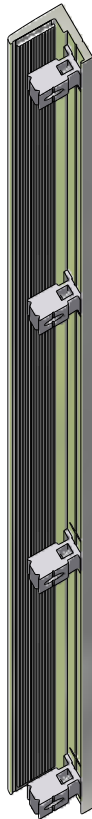
1. 1x



2. 1x



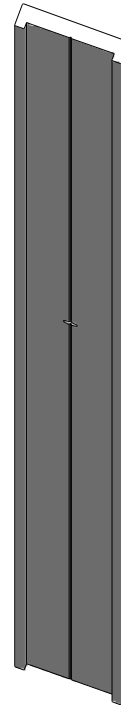
3. 1x



4. 1x
P2665



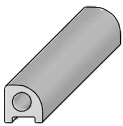
5. 1x
P127
AMD2 1200;
1300;1400;1500



5. 1x
P134
AMD2 1600;
1700;1800



6. 1x
P128



7. 10x
M0511



8. 8x
M0811



9. 4x
M5974



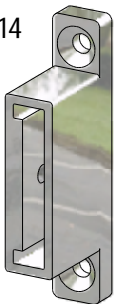
10. 4x
M5975



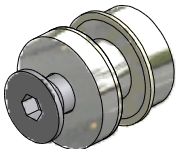
11. 4x
M8924



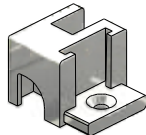
12. 2x
M9114



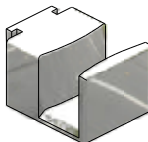
13. 1x
M9116



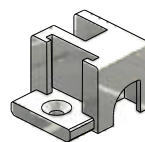
14. 1x
MA0743



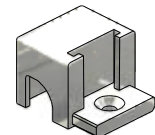
15. 2x
MA0748



16. 1x
MA0744



17. 1x
MA0745



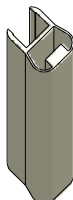
18. 2x
M0787



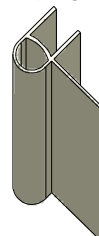
19. 2x
M9112



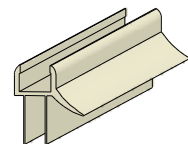
20. 1x
MA0852



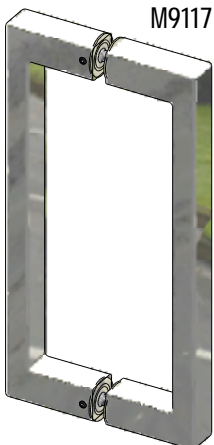
21. 1x
M9123



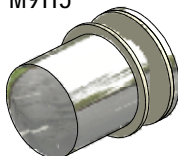
22. 1x
P129



23. 1x
M9117



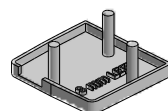
24. 2x
M9115



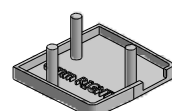
25. 1x
MA0851

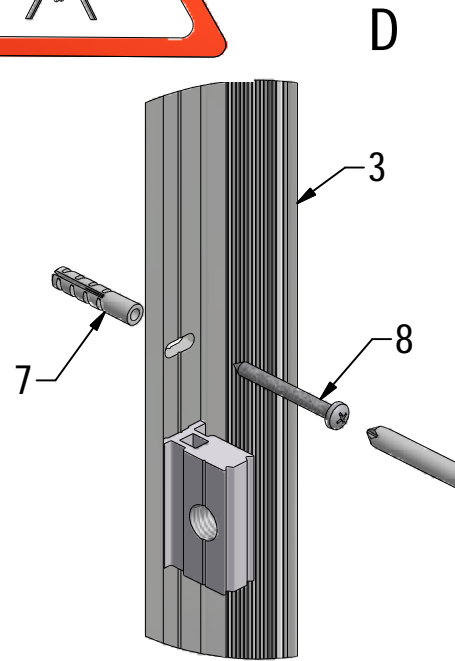
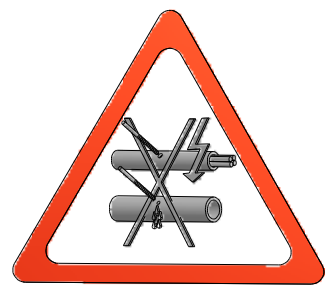
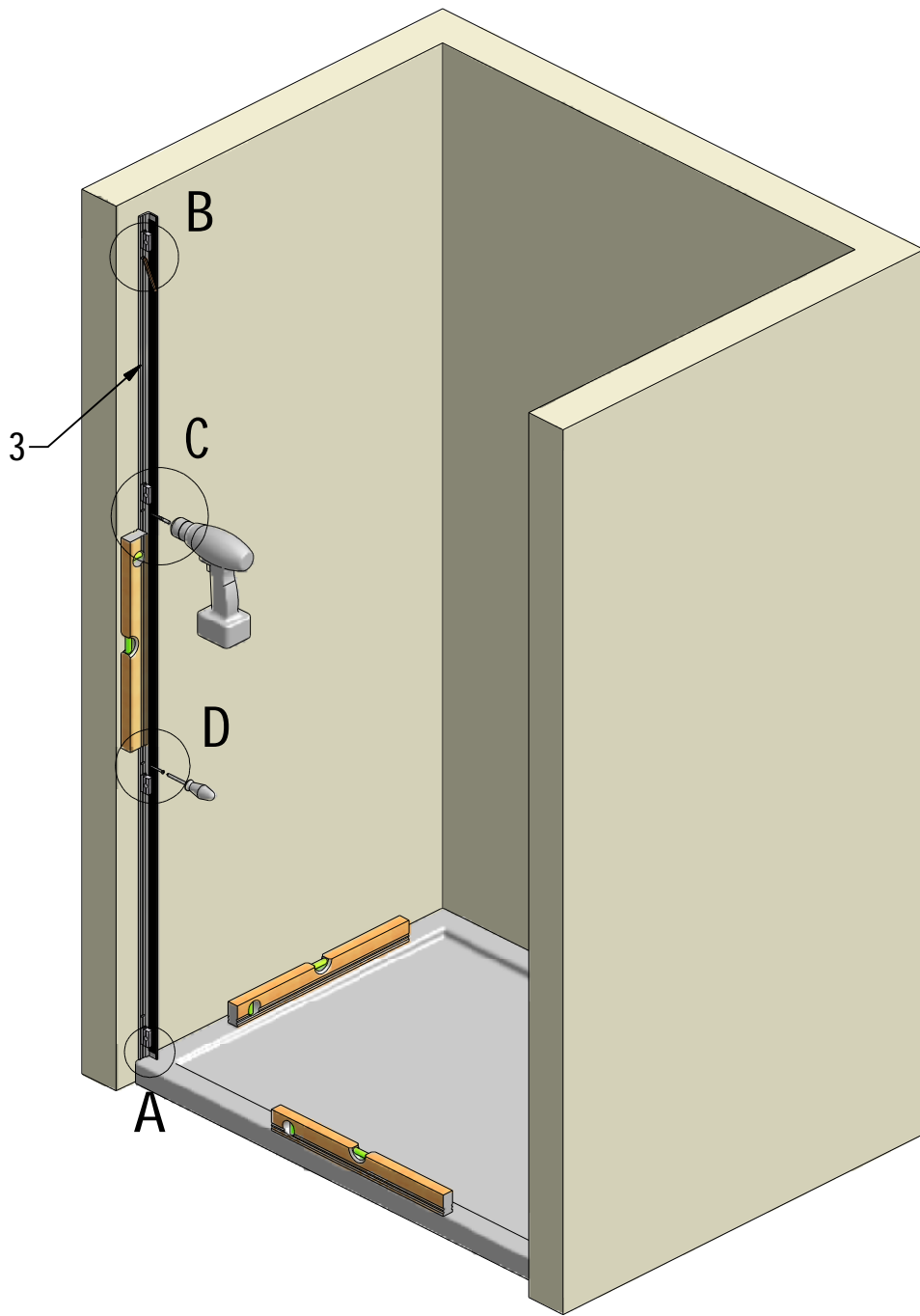


26. 1x
M8937

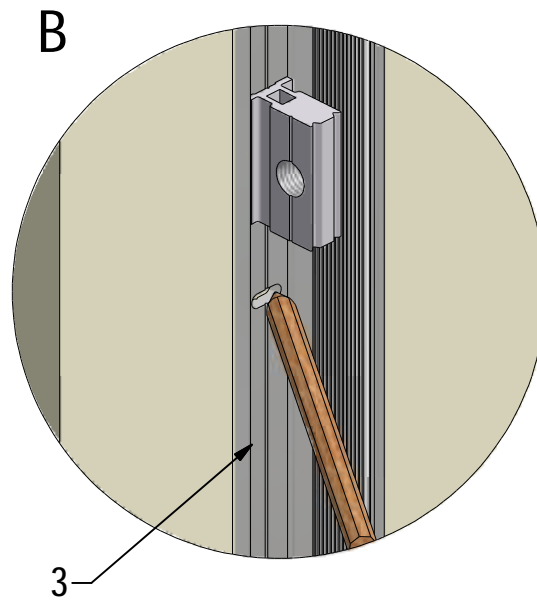
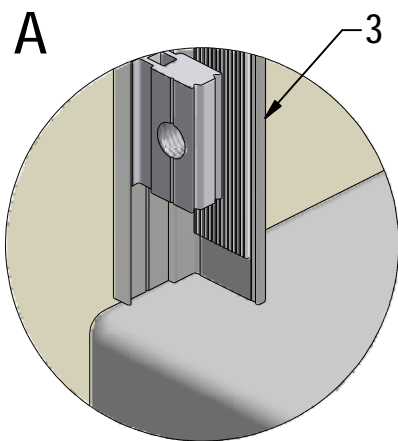
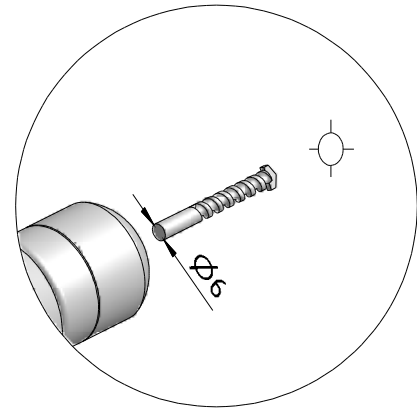


27. 1x
M8938

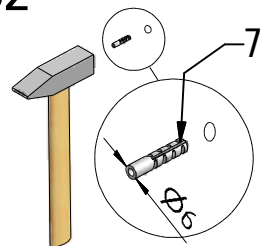


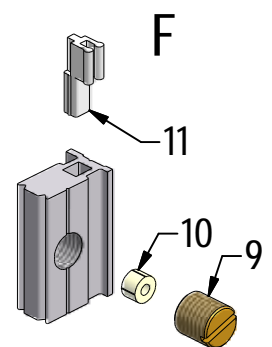
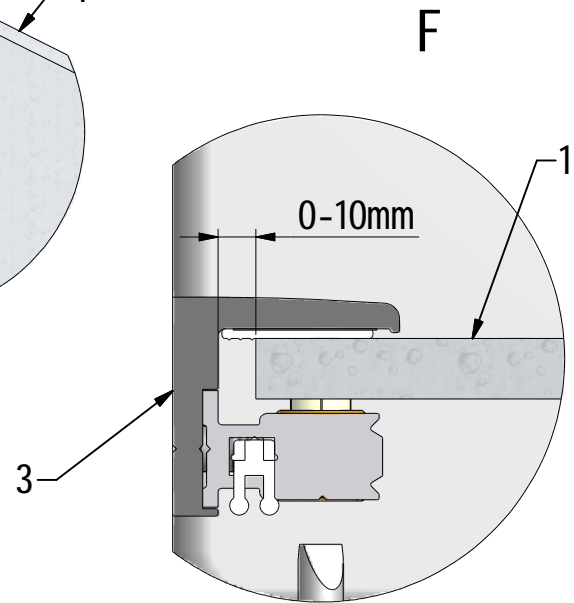
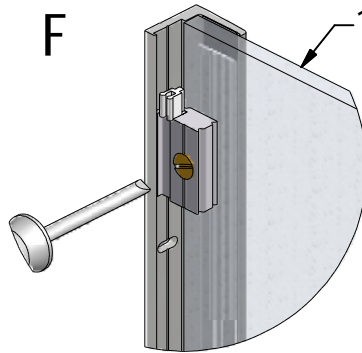
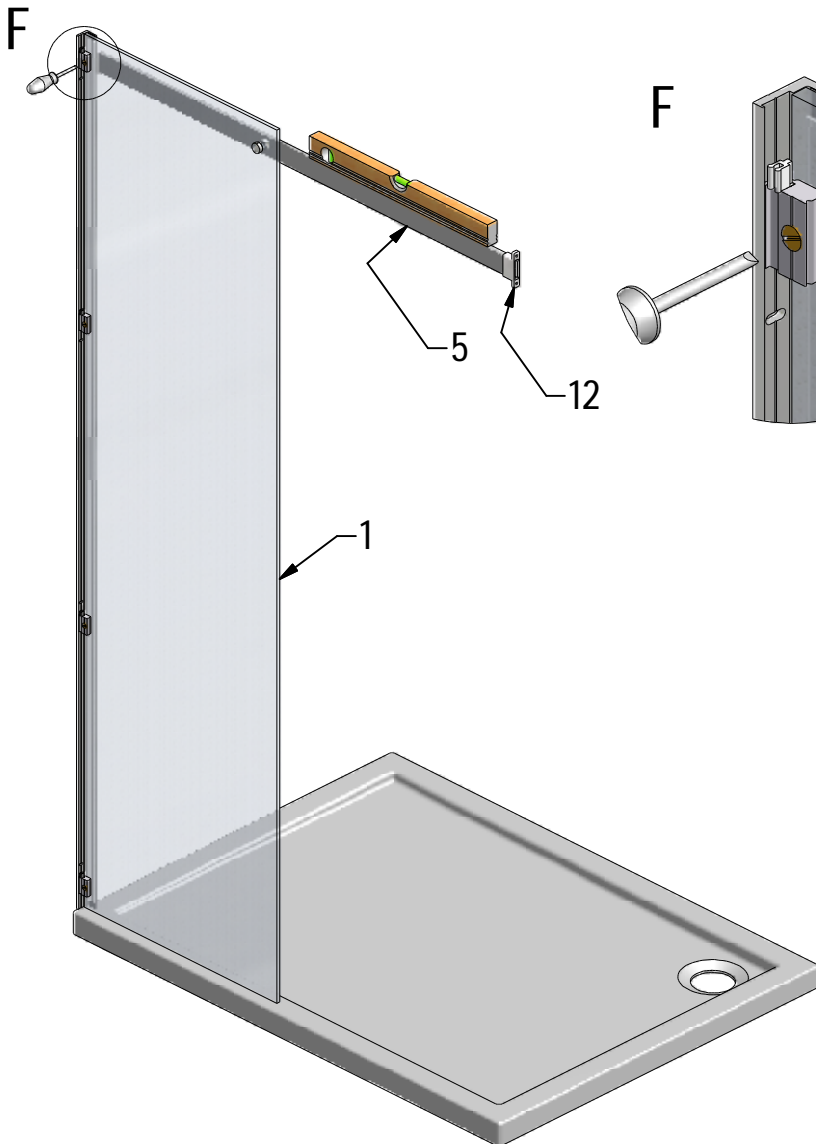
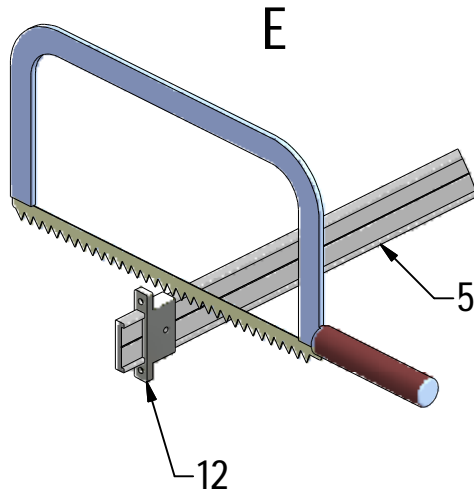
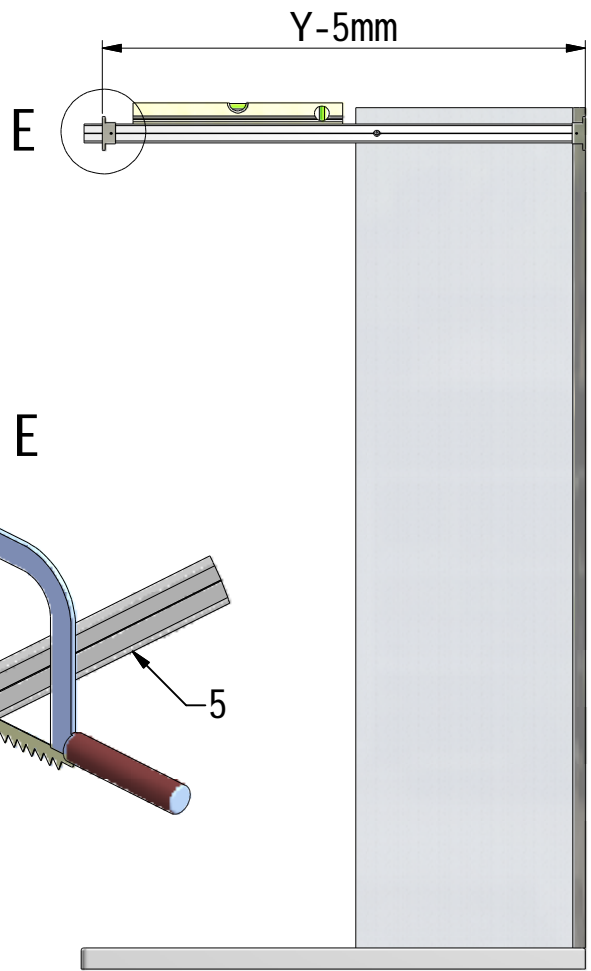
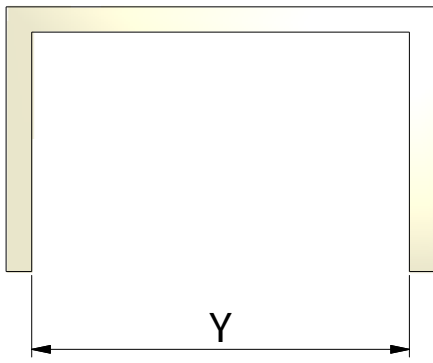


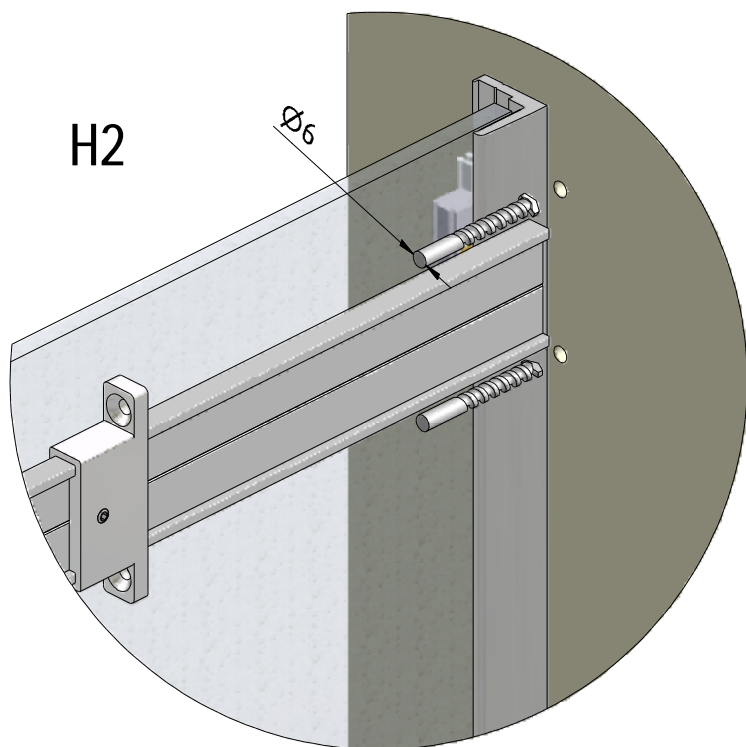
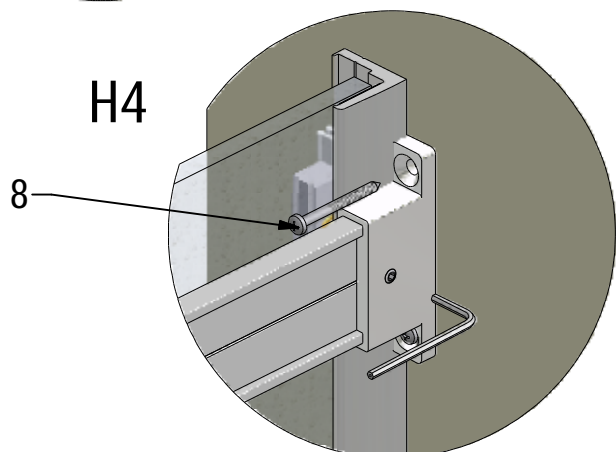
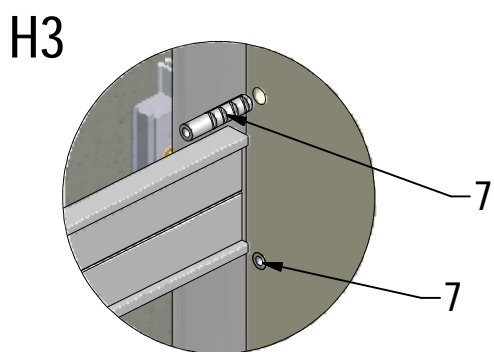
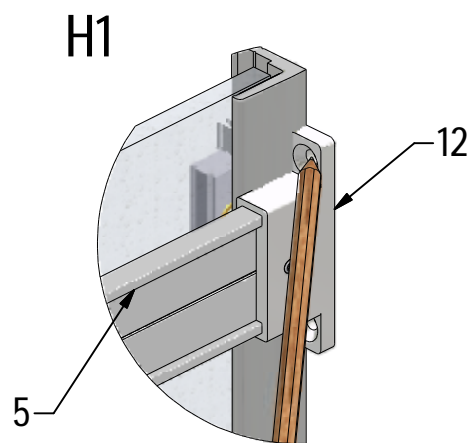
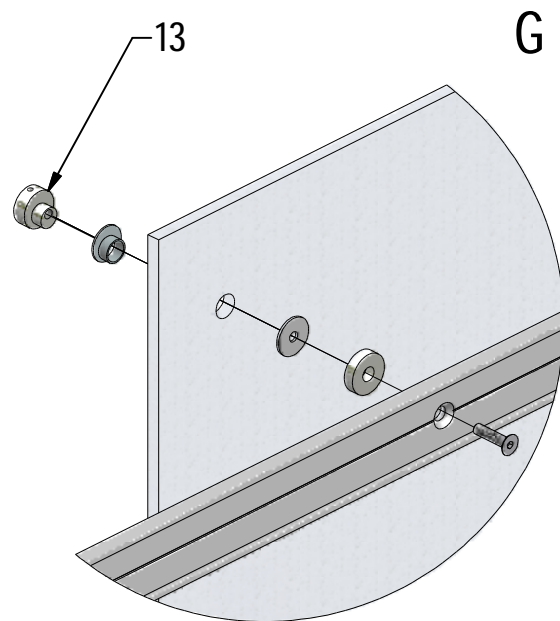
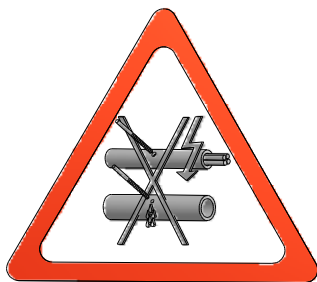
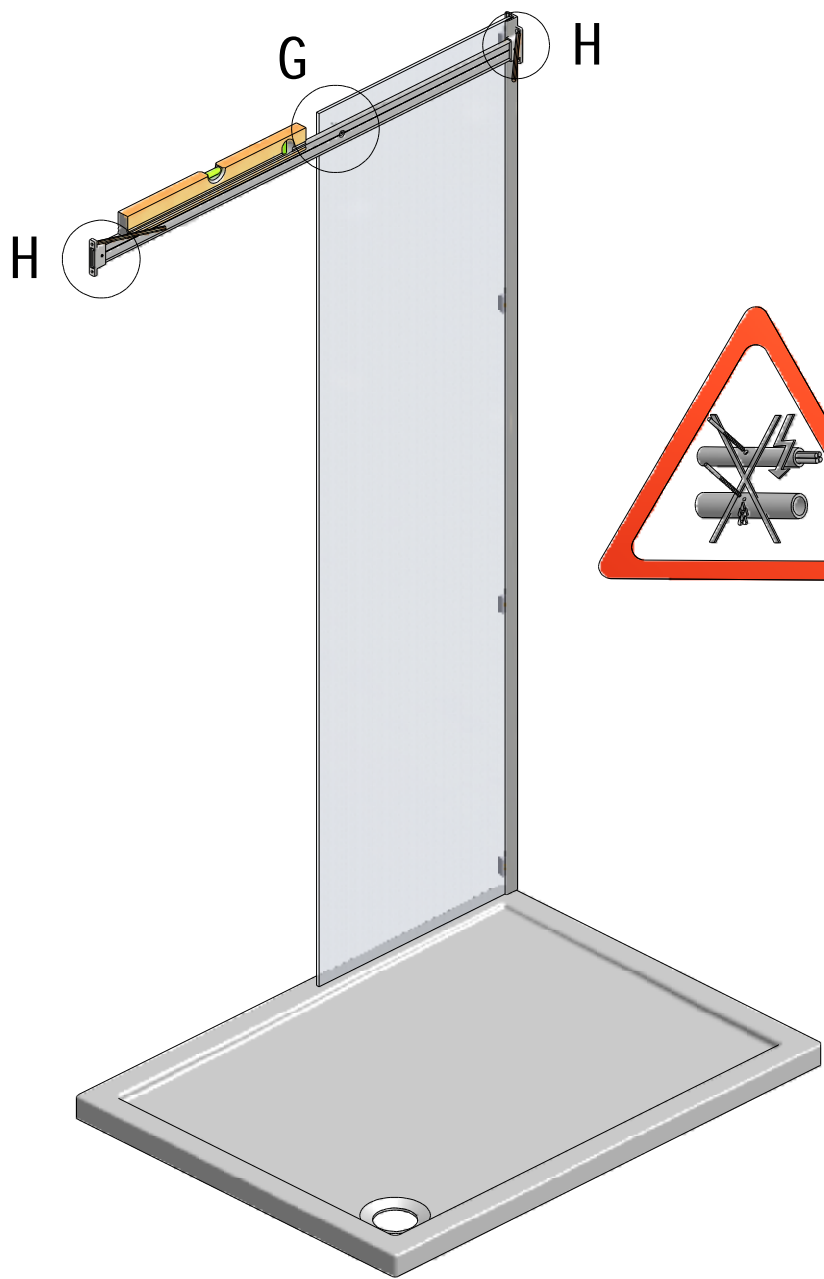
C1 4x

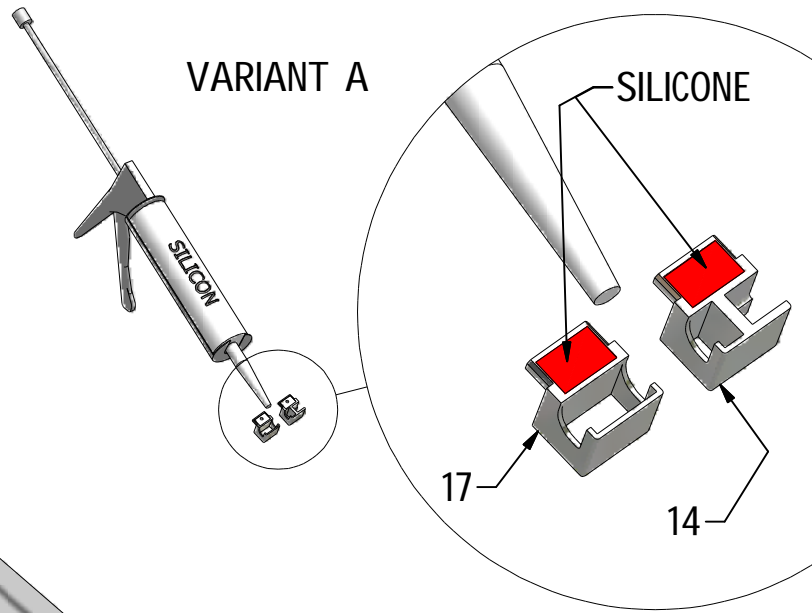
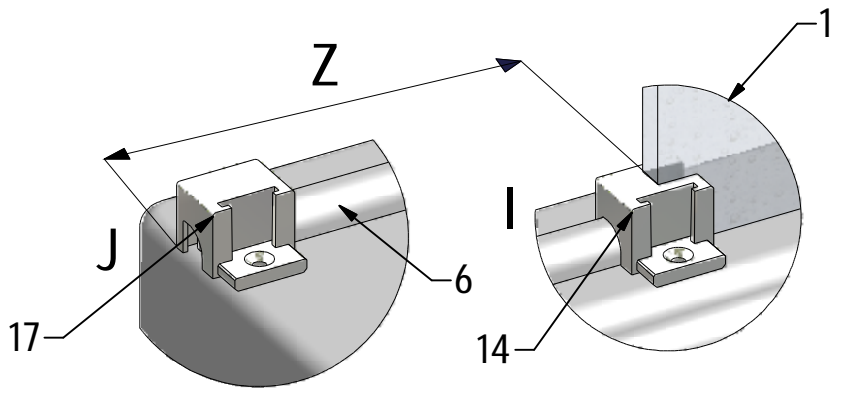
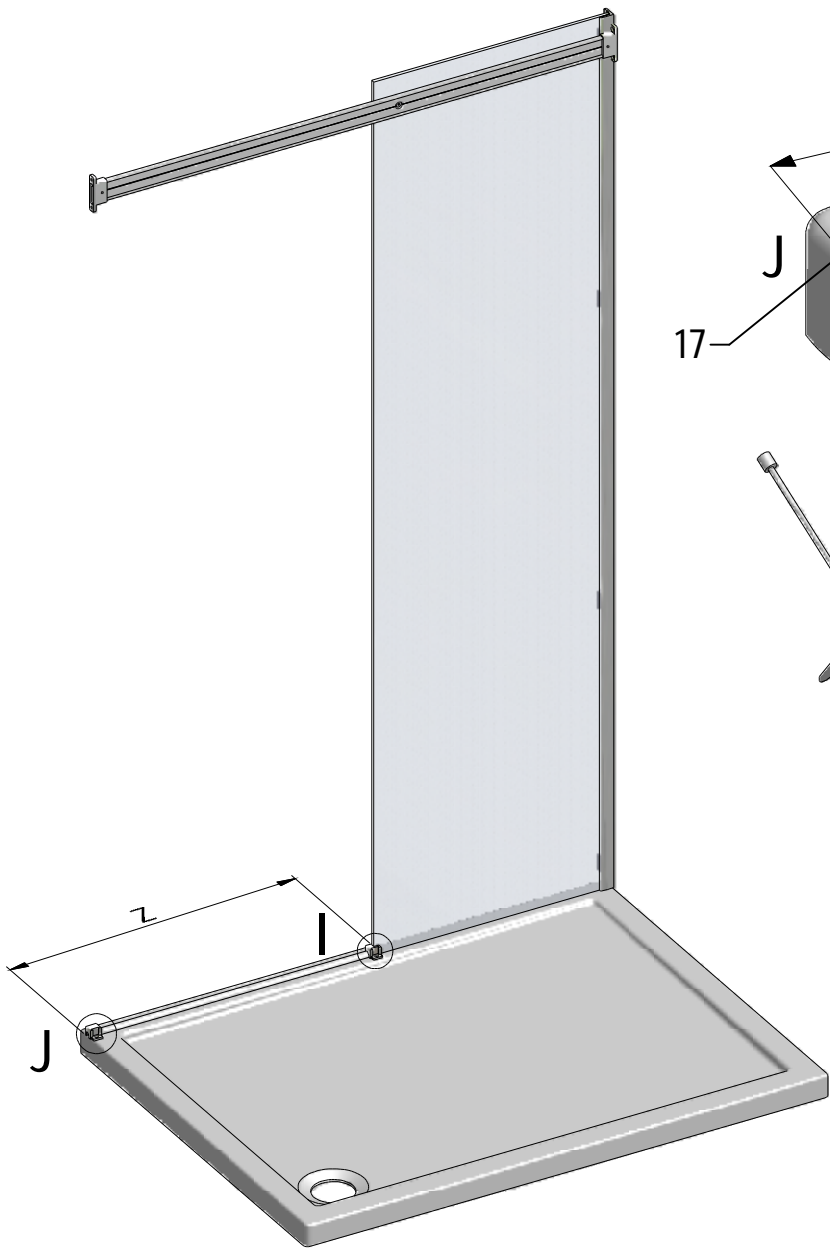


C2

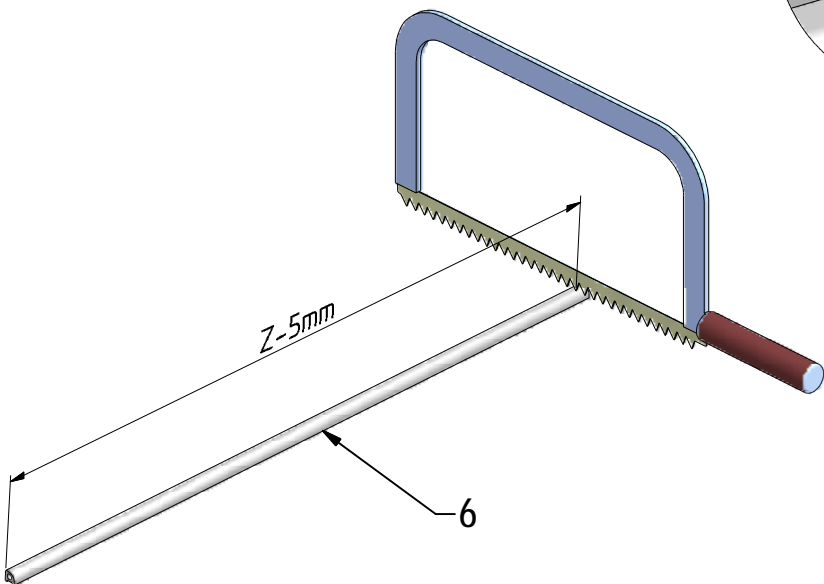
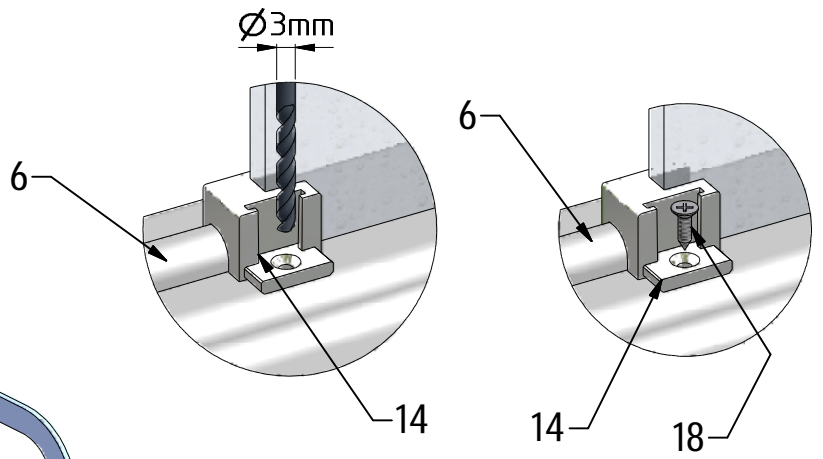


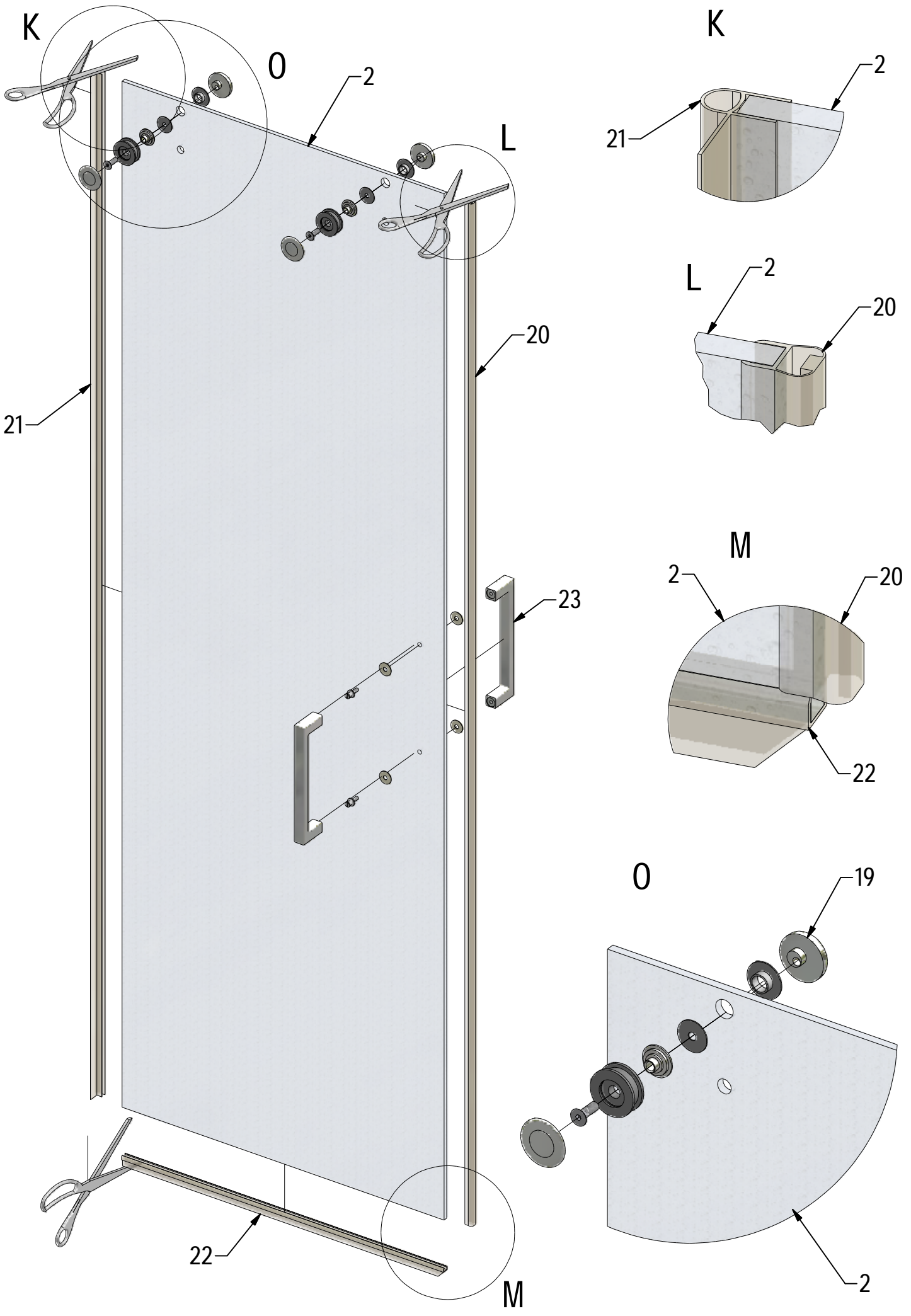


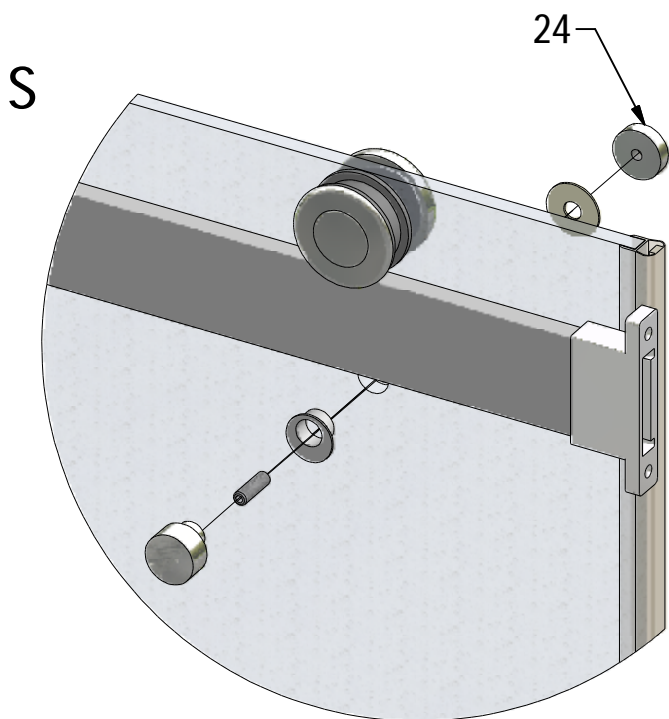
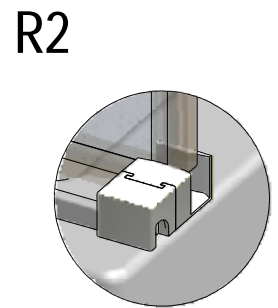
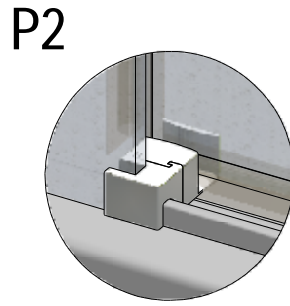
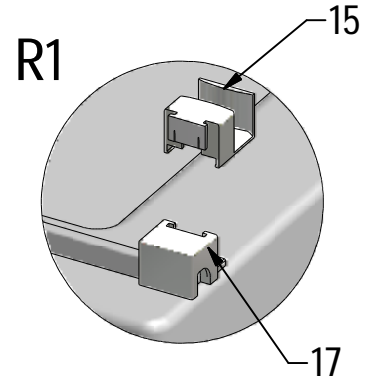
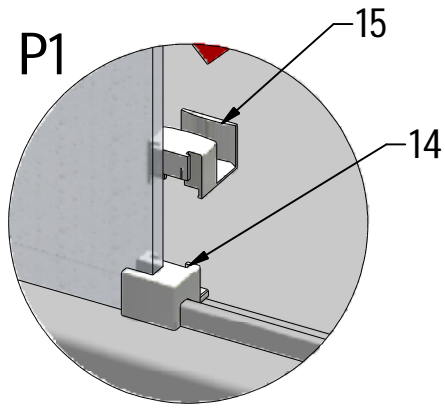
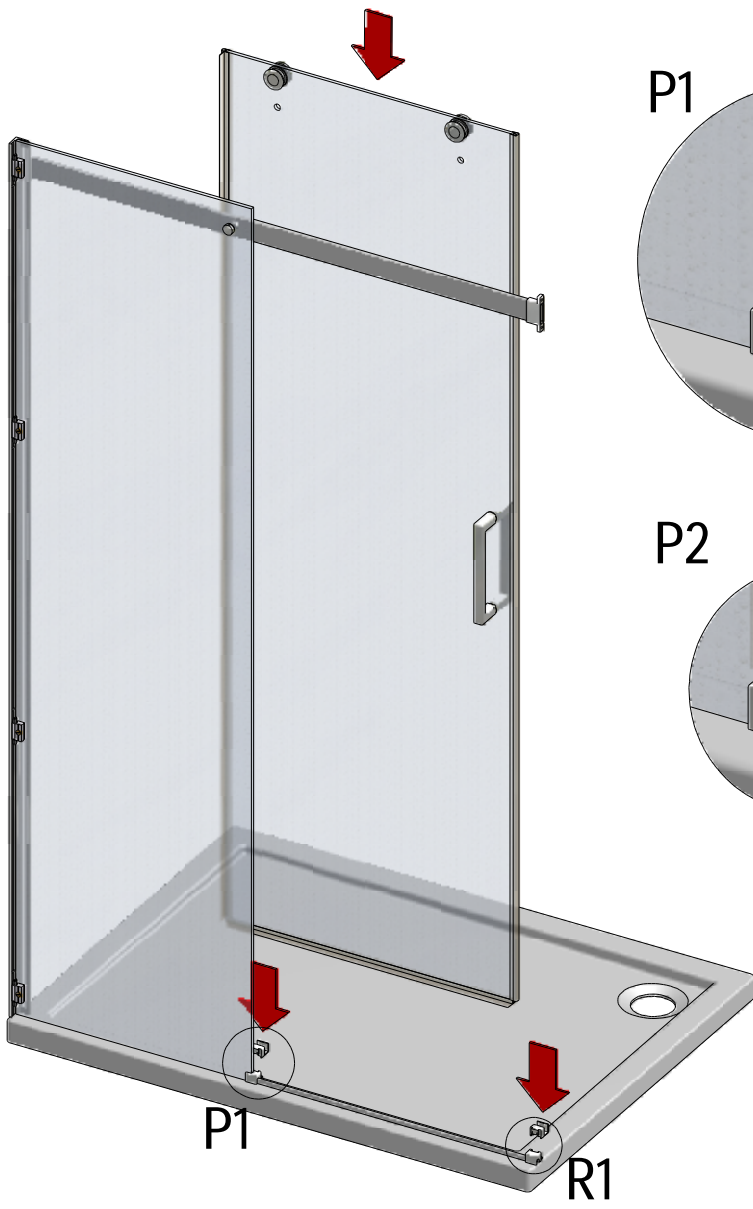


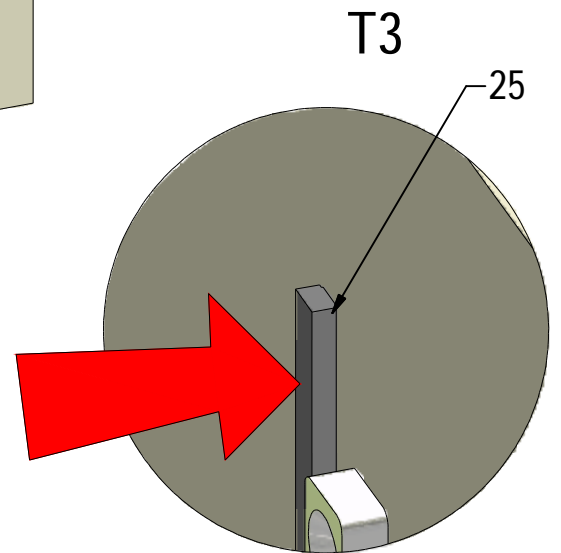
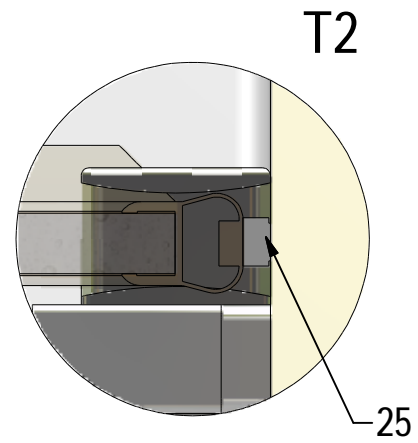
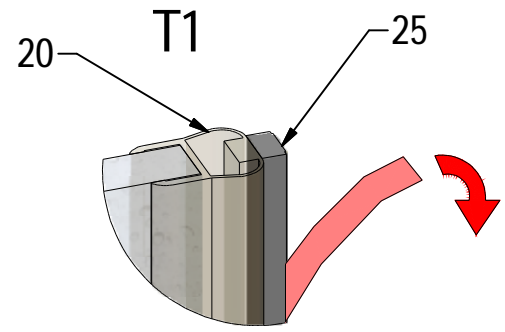
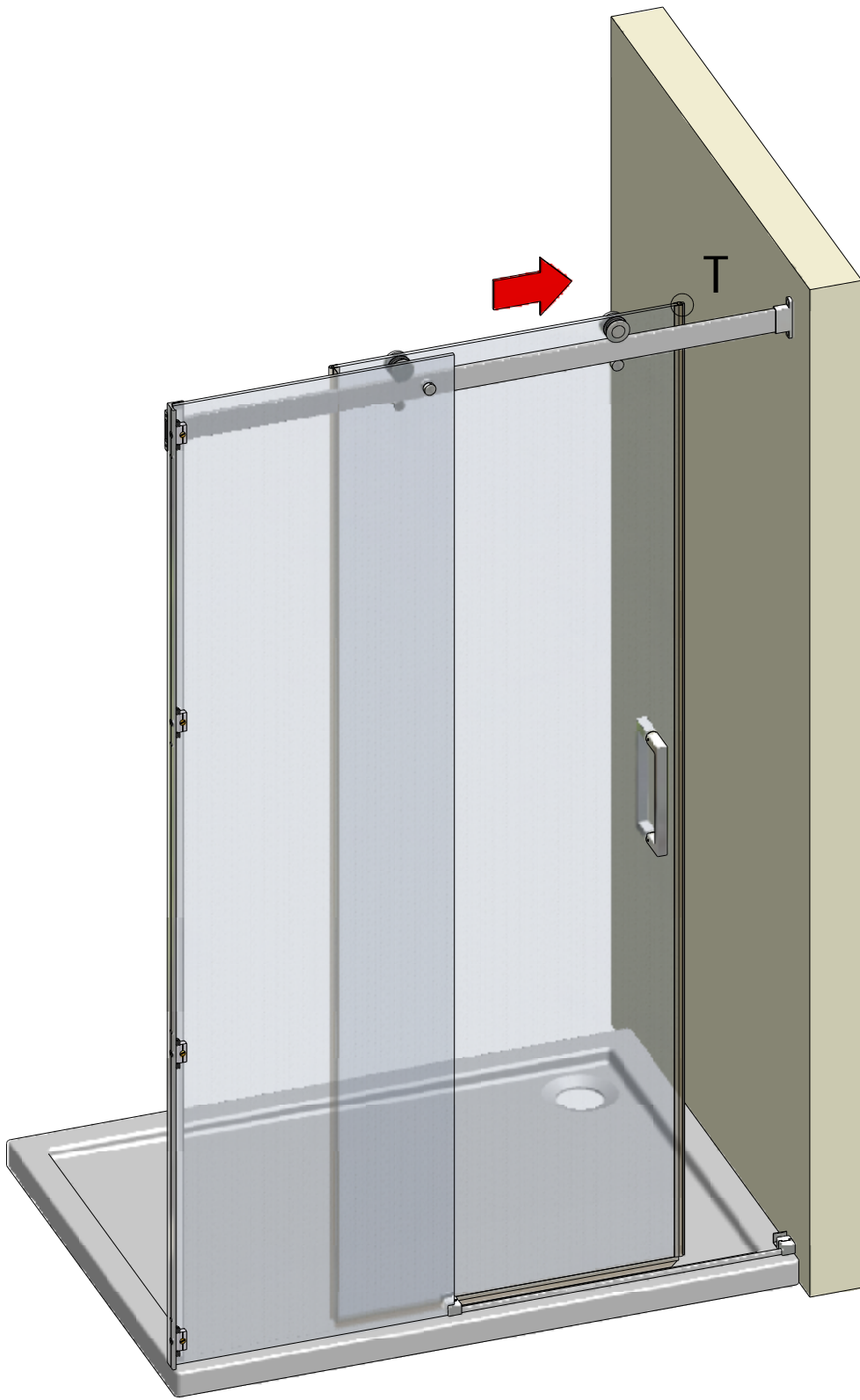


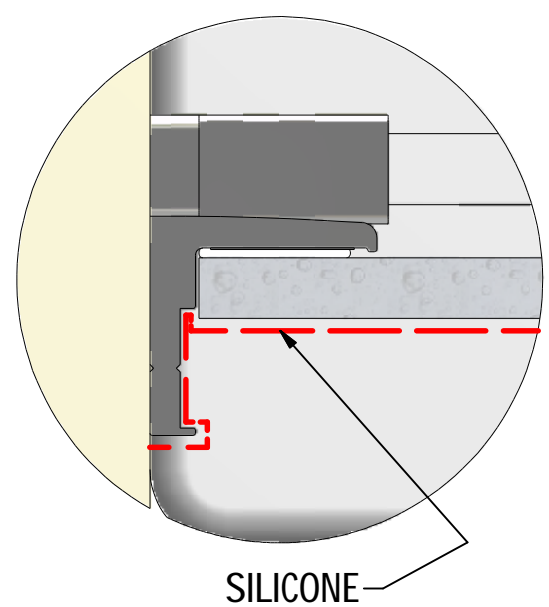
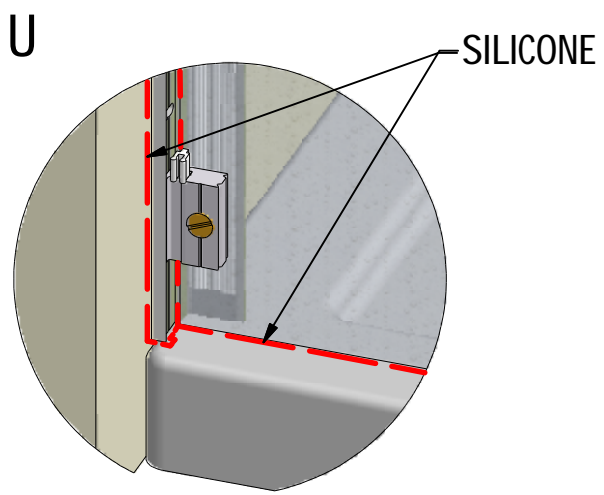
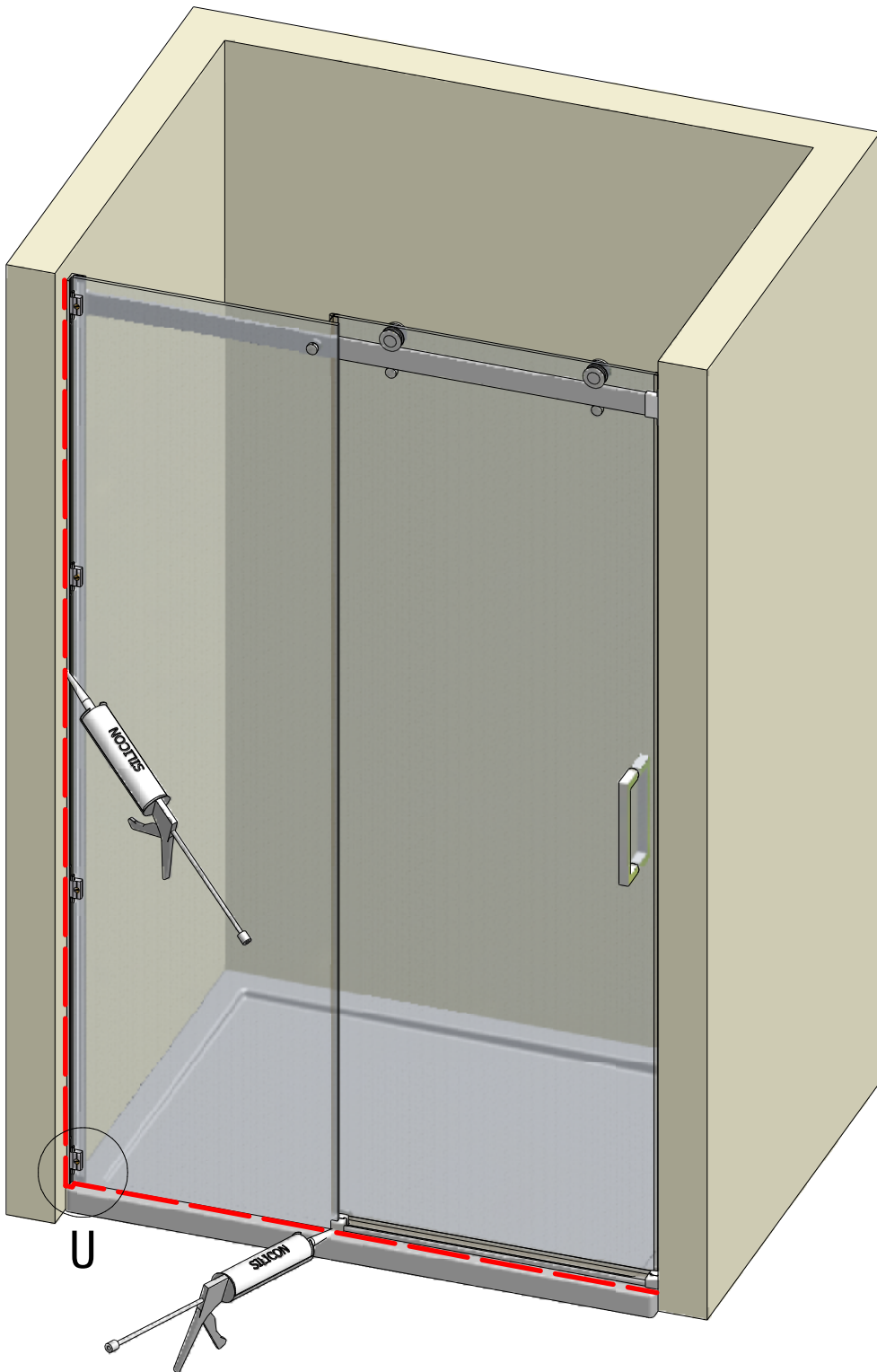
VARIANT B

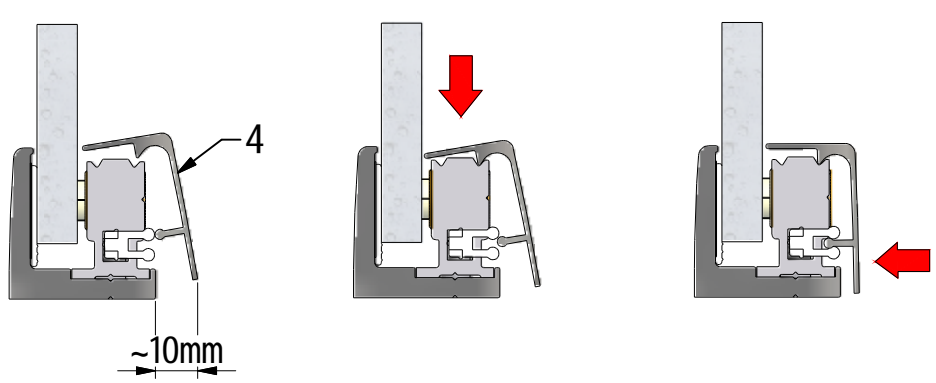
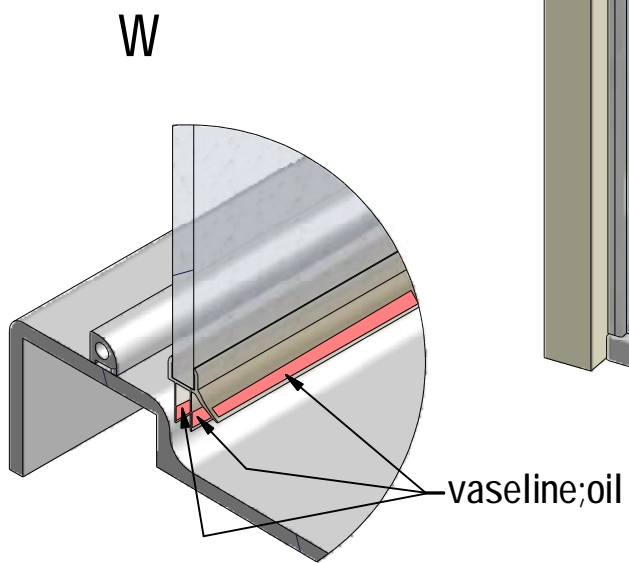
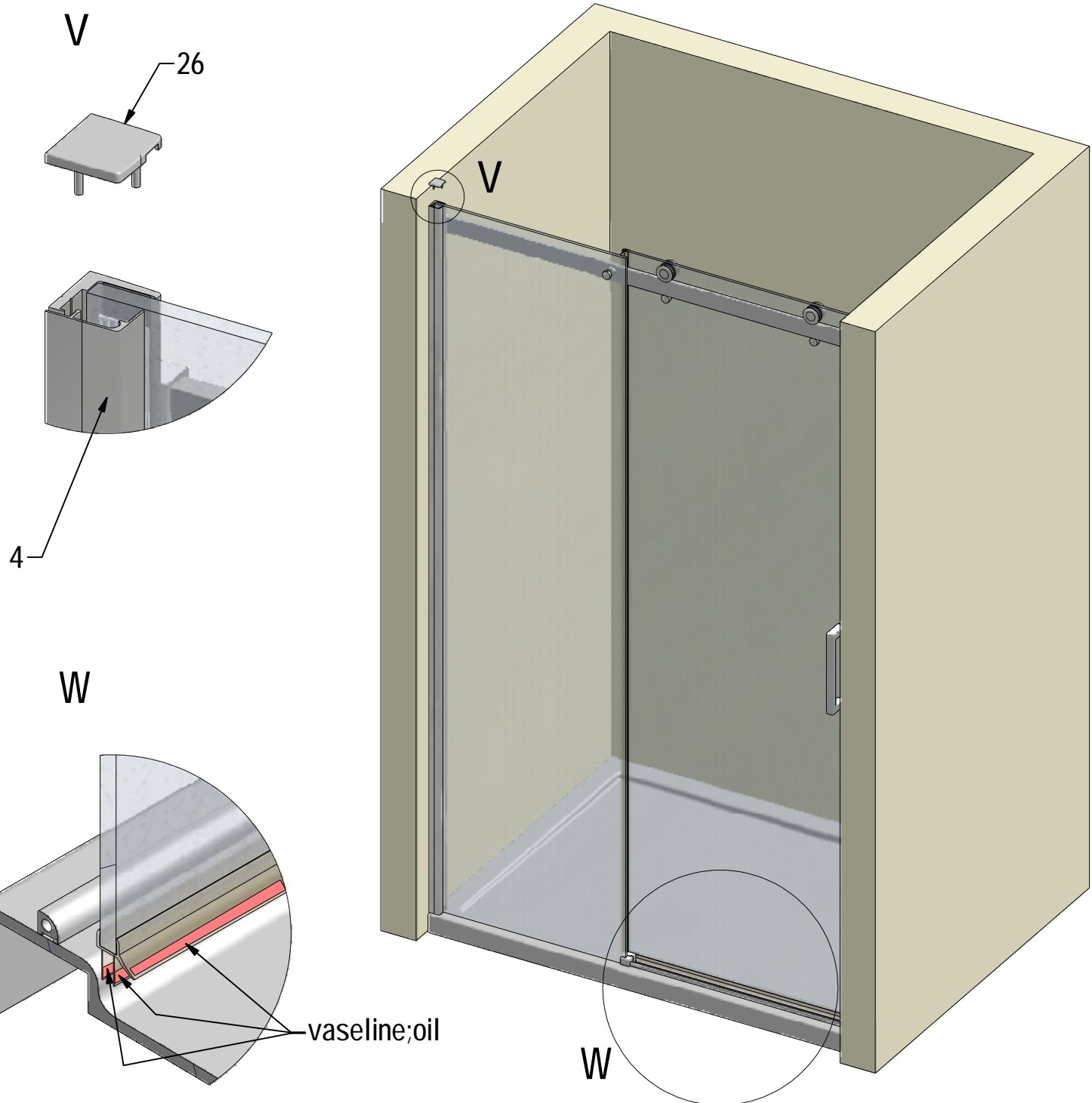




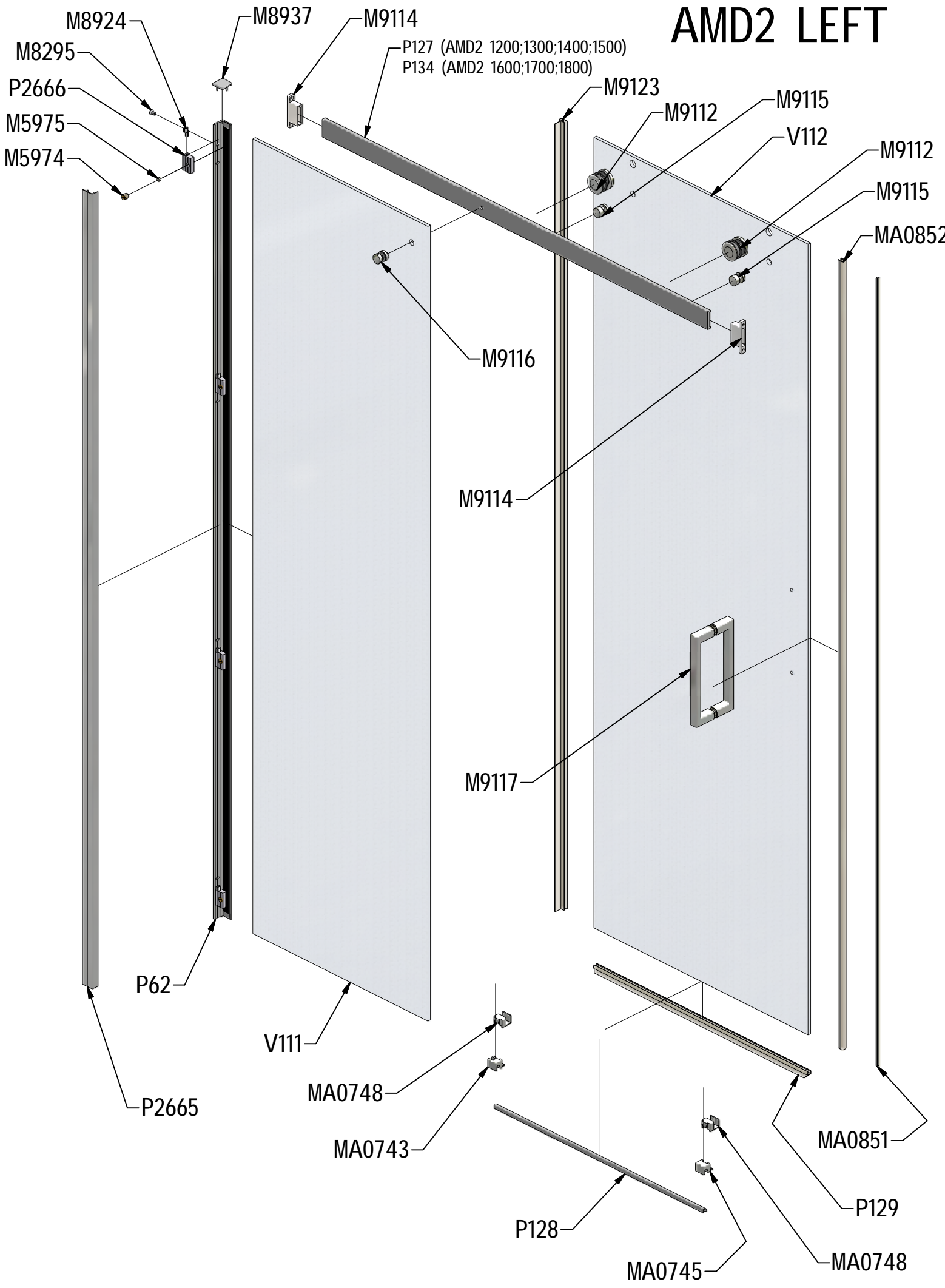




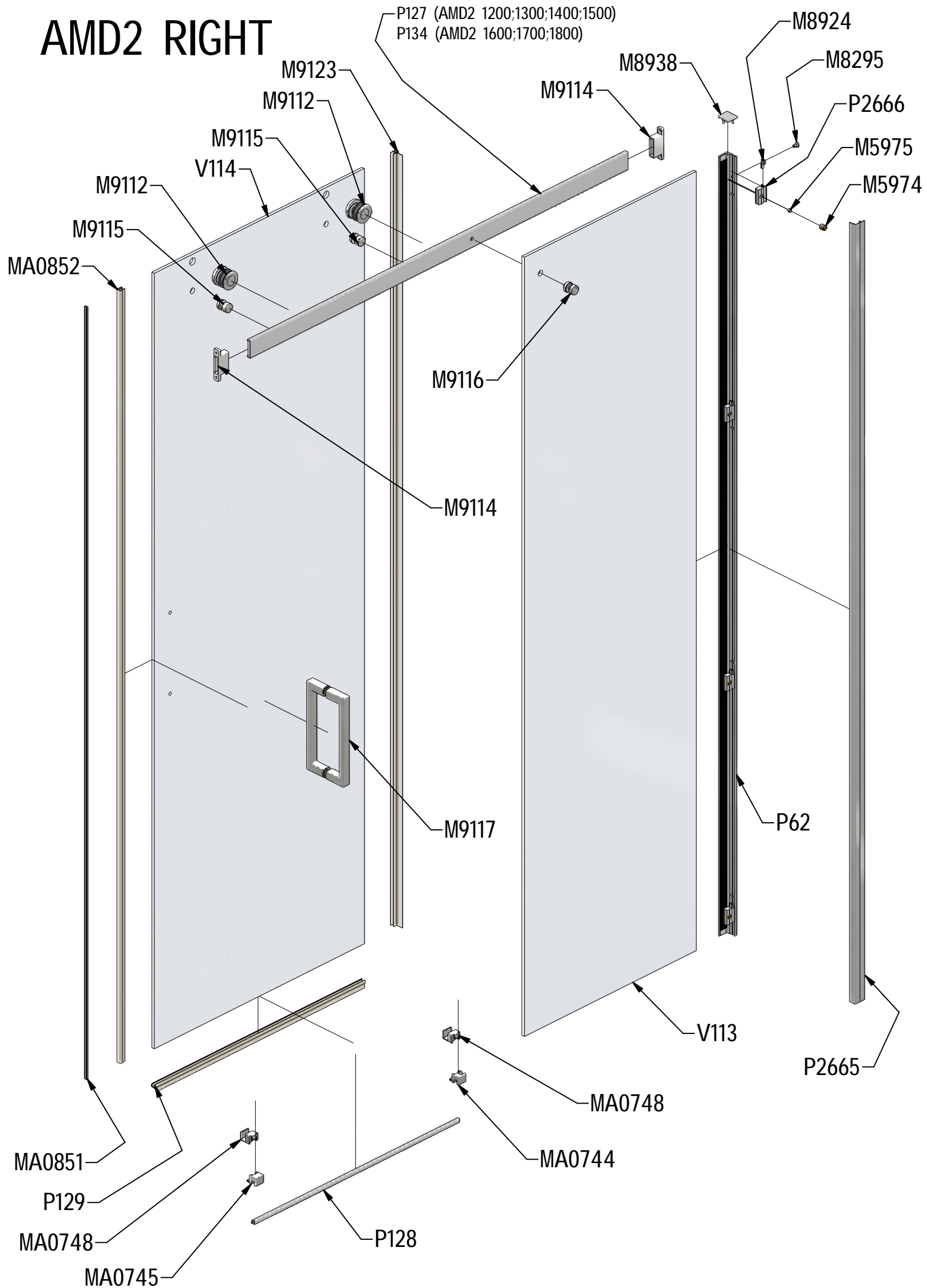




AMD2 LEFT



AMD2 RIGHT



P62			ND01-2361-00
P127	1200		P3006
	1300		P3007
	1400		P3008
	1500		P3009
P128			ND01-2817
P129			ND01-2818
P134	1600		P3023
	1700		P3024
	1800		P3025
V111	1200	clear glass	ND03-0356-00-02
		mirror glass	ND03-0356-00-18
	1300	clear glass	ND03-0357-00-02
		mirror glass	ND03-0357-00-18
	1400	clear glass	ND03-0358-00-02
		mirror glass	ND03-0358-00-18
	1500	clear glass	ND03-0359-00-02
		mirror glass	ND03-0359-00-18
	1600	clear glass	ND03-0508-00-02
		mirror glass	ND03-0508-00-18
	1700	clear glass	ND03-0509-00-02
		mirror glass	ND03-0509-00-18
	1800	clear glass	ND03-0510-00-02
		mirror glass	ND03-0510-00-18
V112	1200	clear glass	ND02-0526-00-02
		mirror glass	ND02-0526-00-18
	1300	clear glass	ND02-0527-00-02
		mirror glass	ND02-0527-00-18
	1400	clear glass	ND02-0528-00-02
		mirror glass	ND02-0528-00-18
	1500;1600;1700;1800	clear glass	ND02-0529-00-02
		mirror glass	ND02-0529-00-18
V113	1200	clear glass	ND03-0356-00-02
		mirror glass	ND03-0480-00-18
	1300	clear glass	ND03-0357-00-02
		mirror glass	ND03-0481-00-18
	1400	clear glass	ND03-0358-00-02
		mirror glass	ND03-0482-00-18
	1500	clear glass	ND03-0359-00-02
		mirror glass	ND03-0483-00-18
	1600	clear glass	ND03-0508-00-02
		mirror glass	ND03-0511-00-18
	1700	clear glass	ND03-0509-00-02
		mirror glass	ND03-0512-00-18
	1800	clear glass	ND03-0510-00-02
		mirror glass	ND03-0513-00-18
V114	1200	clear glass	ND02-0526-00-02
		mirror glass	ND02-0655-00-18
	1300	clear glass	ND02-0527-00-02
		mirror glass	ND02-0656-00-18
	1400	clear glass	ND02-0528-00-02
		mirror glass	ND02-0657-00-18
	1500;1600;1700;1800	clear glass	ND02-0529-00-02
		mirror glass	ND02-0658-00-18