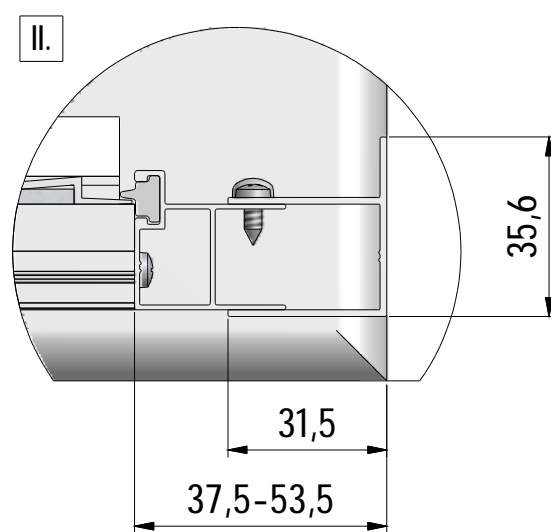
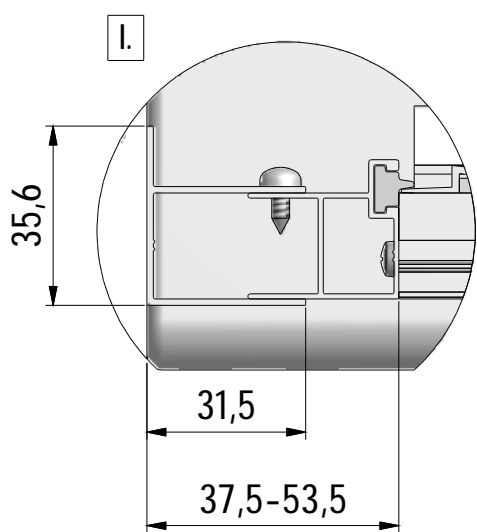
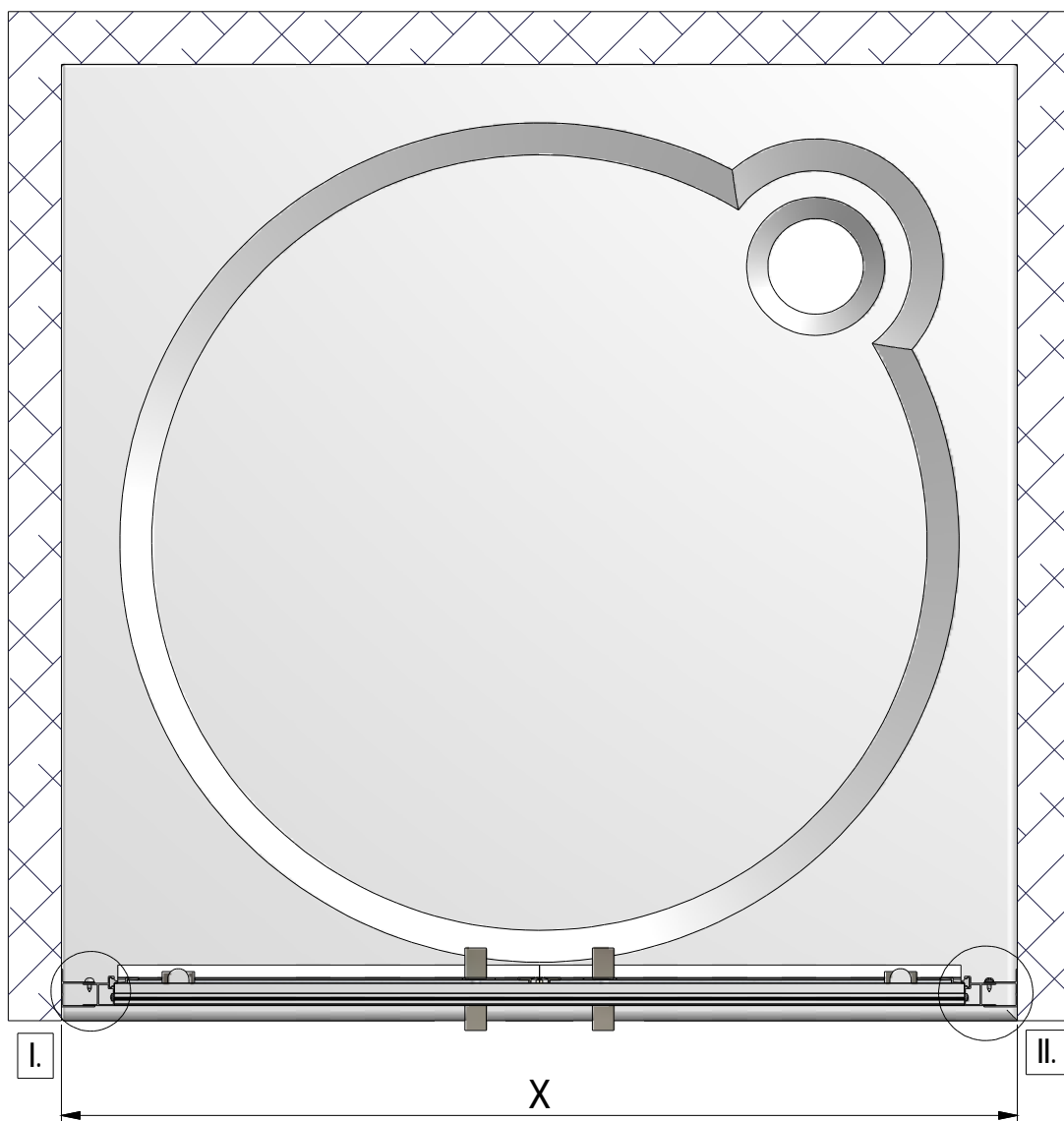


# LLDO2

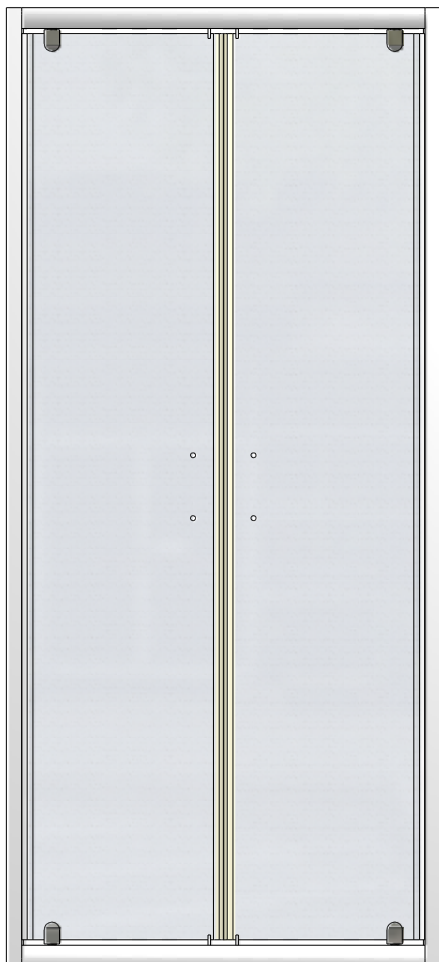






	X (MIN-MAX)
700	675-707
800	775-807
900	875-907
1000	975-1007

1. 1x



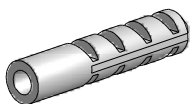
7. 2x (P3101)



22. 2x (MA2331)

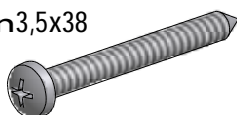


4. 6x (M0511)



5. 6x (M0795)

n3,5x38



6. 12x (MA0511)



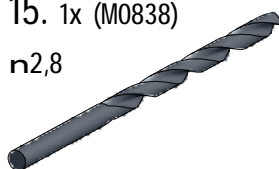
12. 6x (M0806)

n3,5x9,5

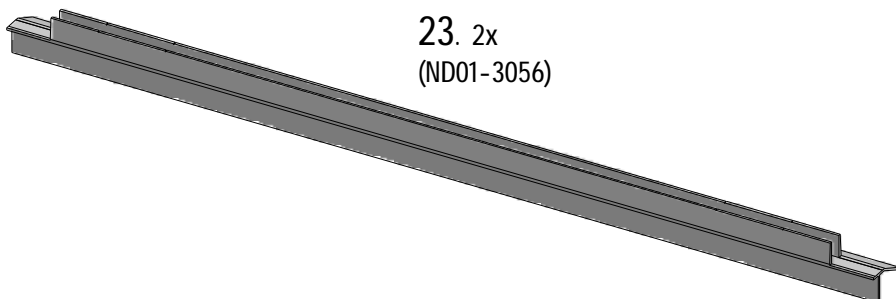


15. 1x (M0838)

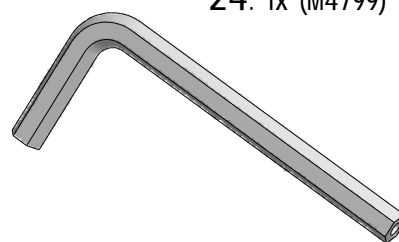
n2,8



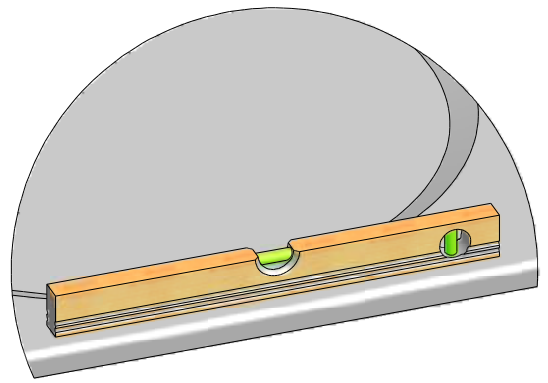
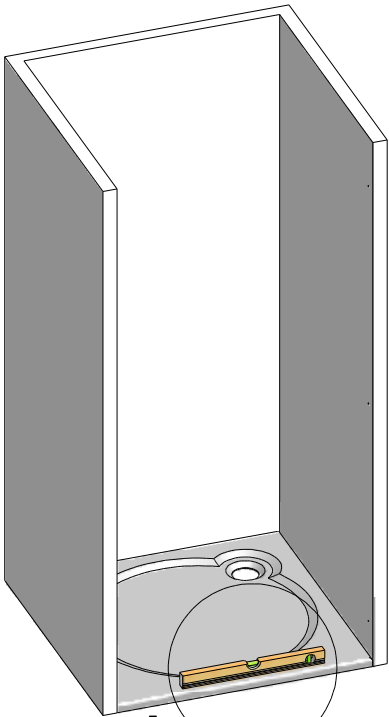
23. 2x  
(ND01-3056)



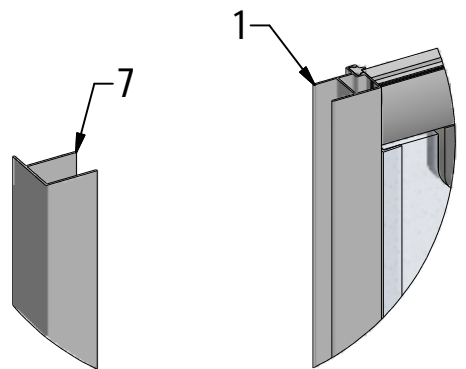
24. 1x (M4799)



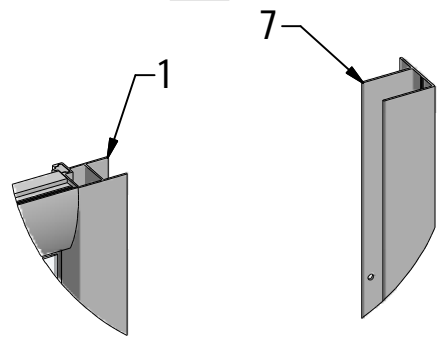
A



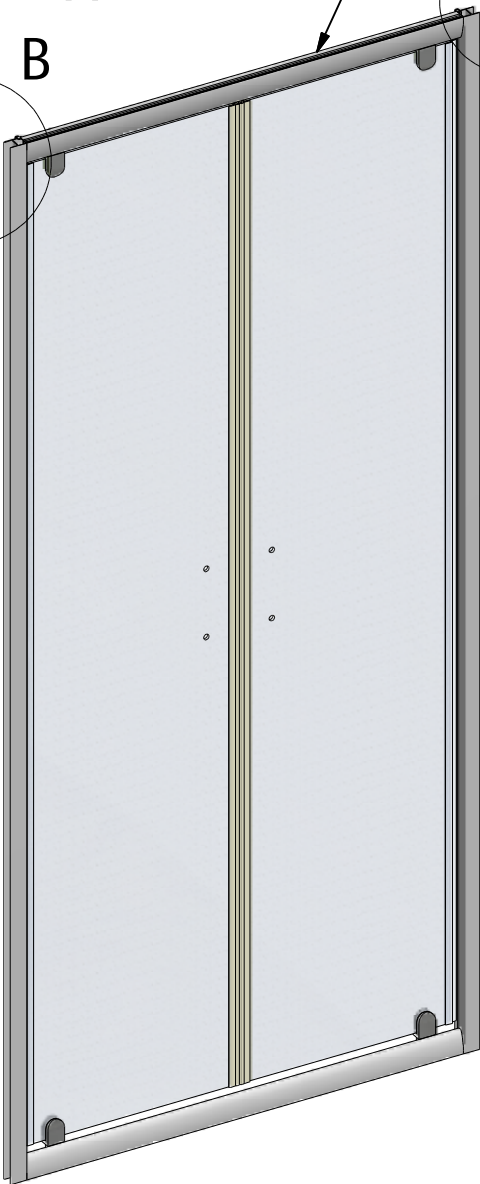
B



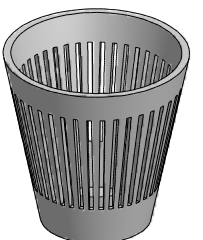
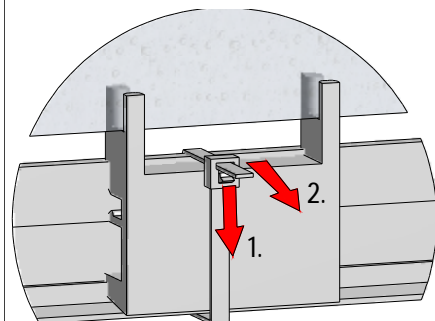
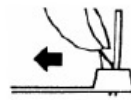
C



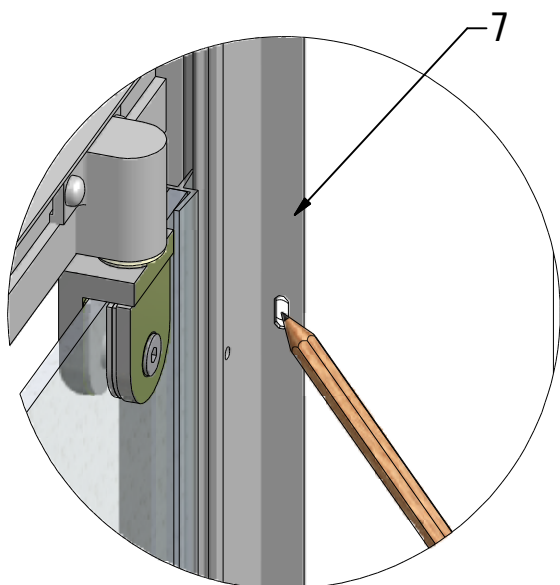
B



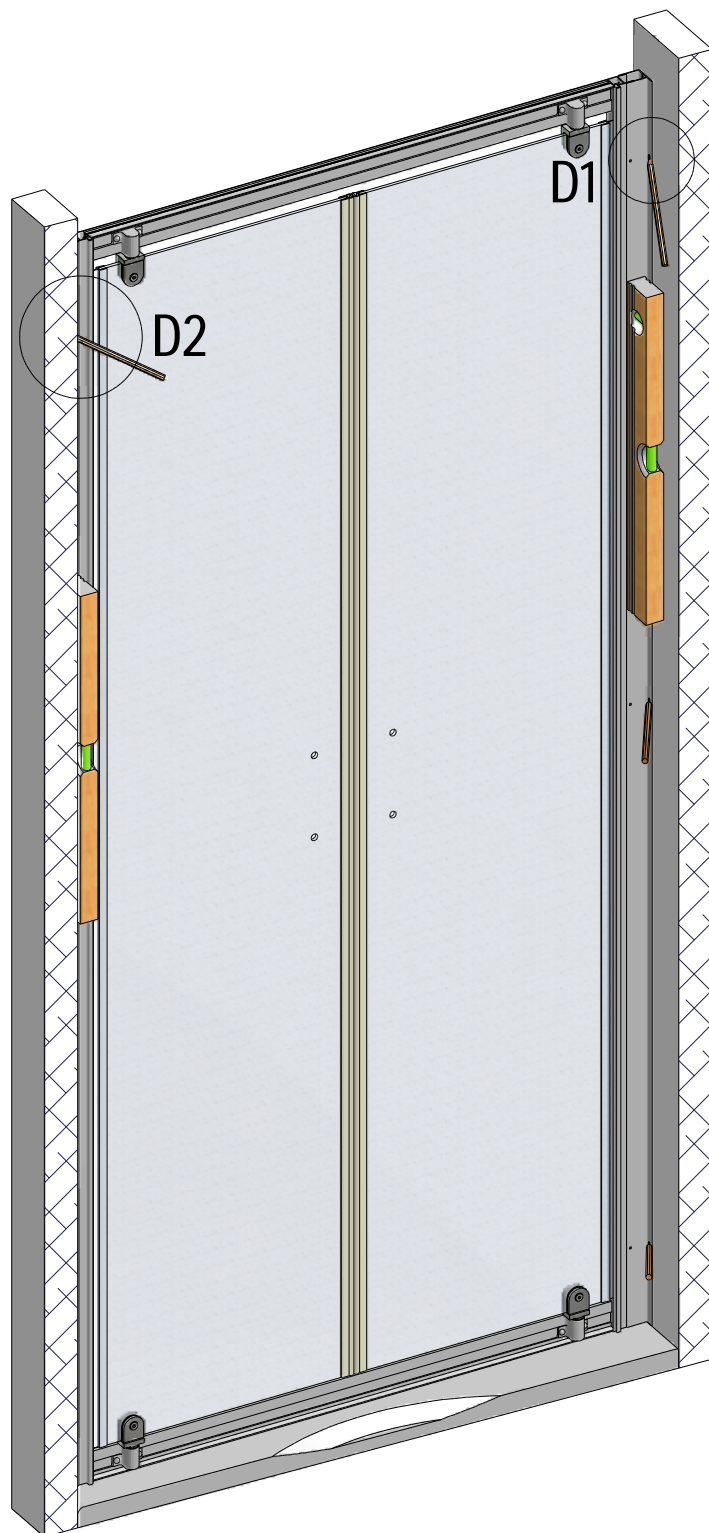
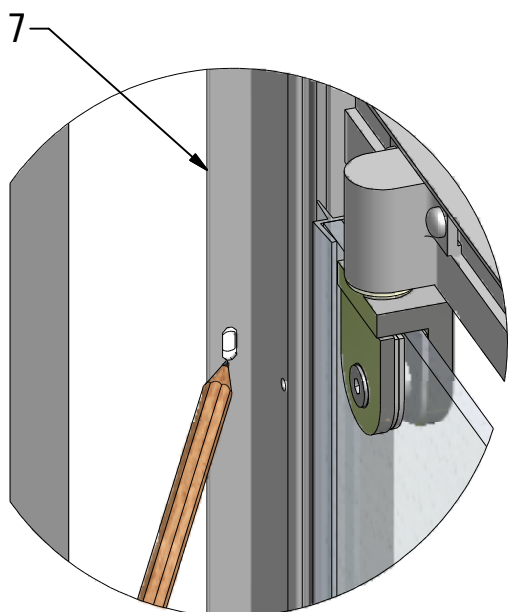
C

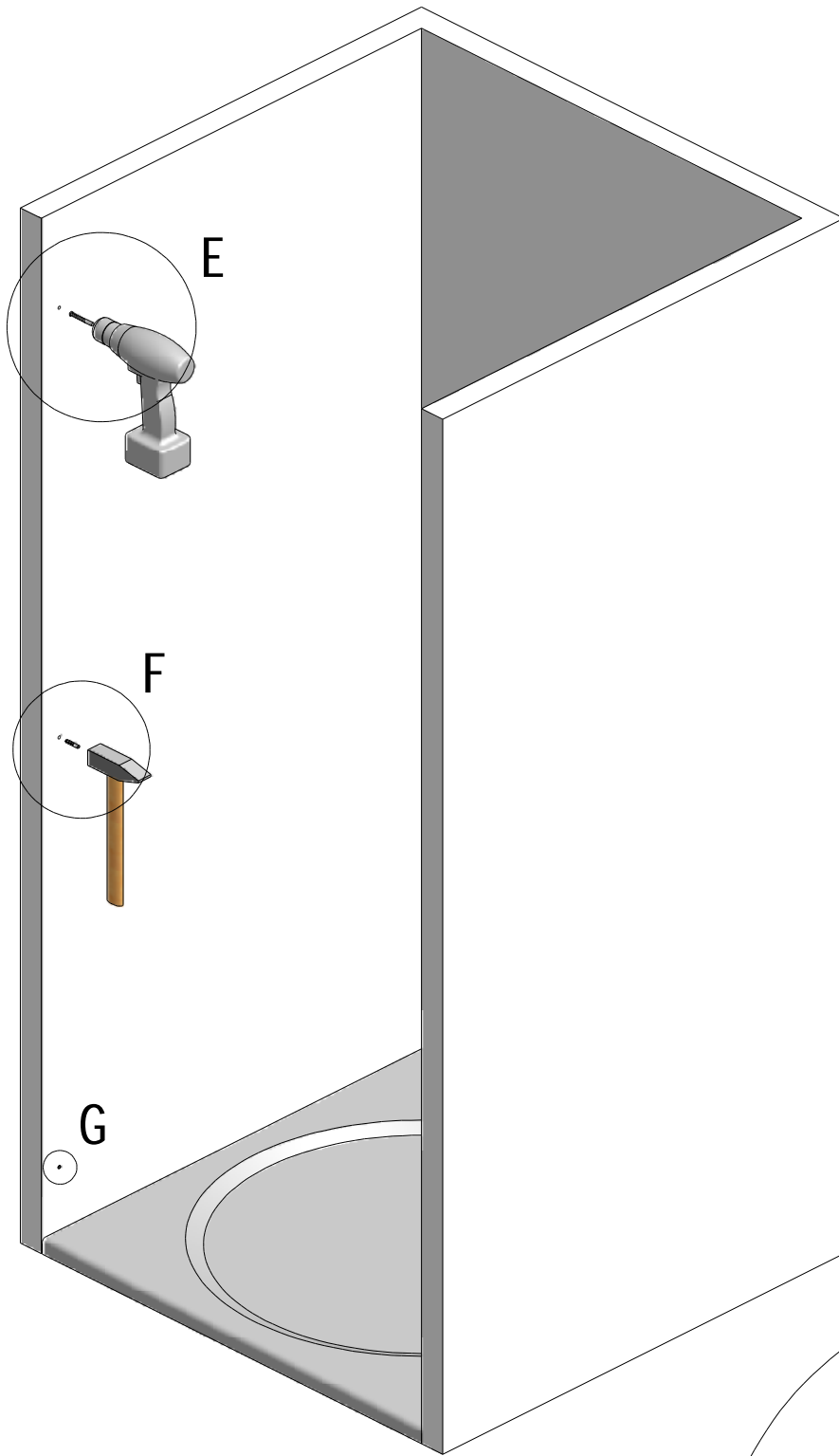
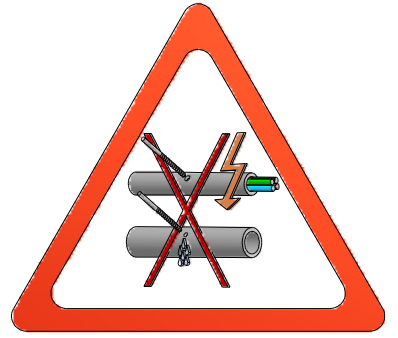


**D1** 3x

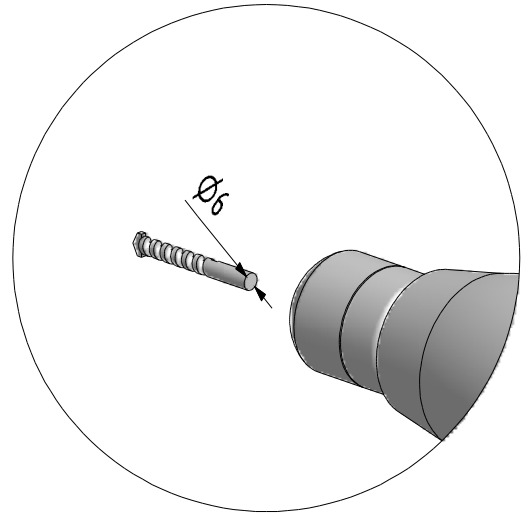


**D2** 3x

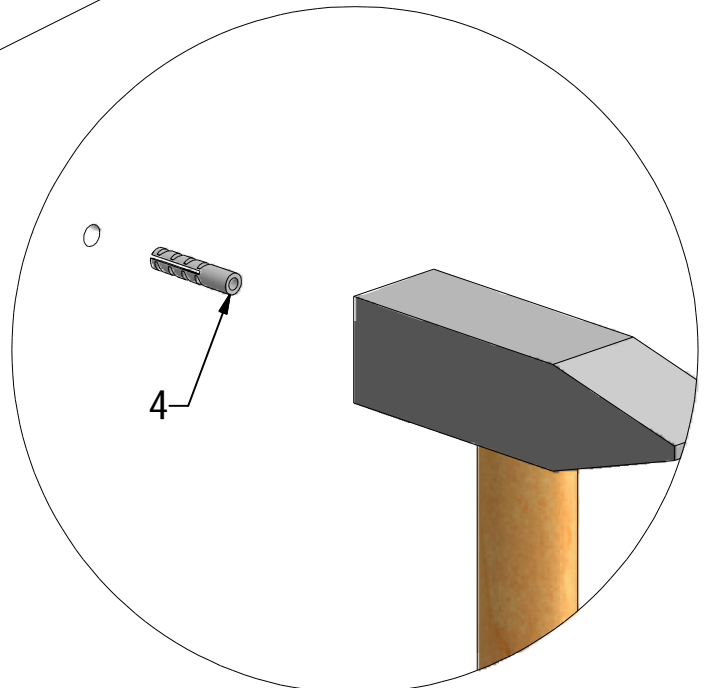




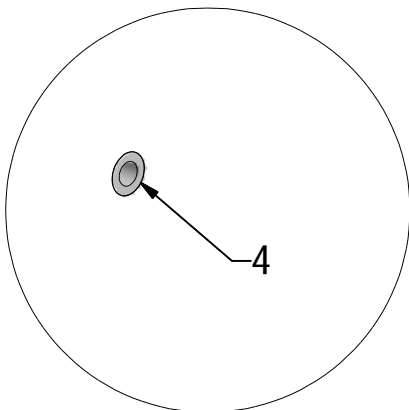
**E** 6x

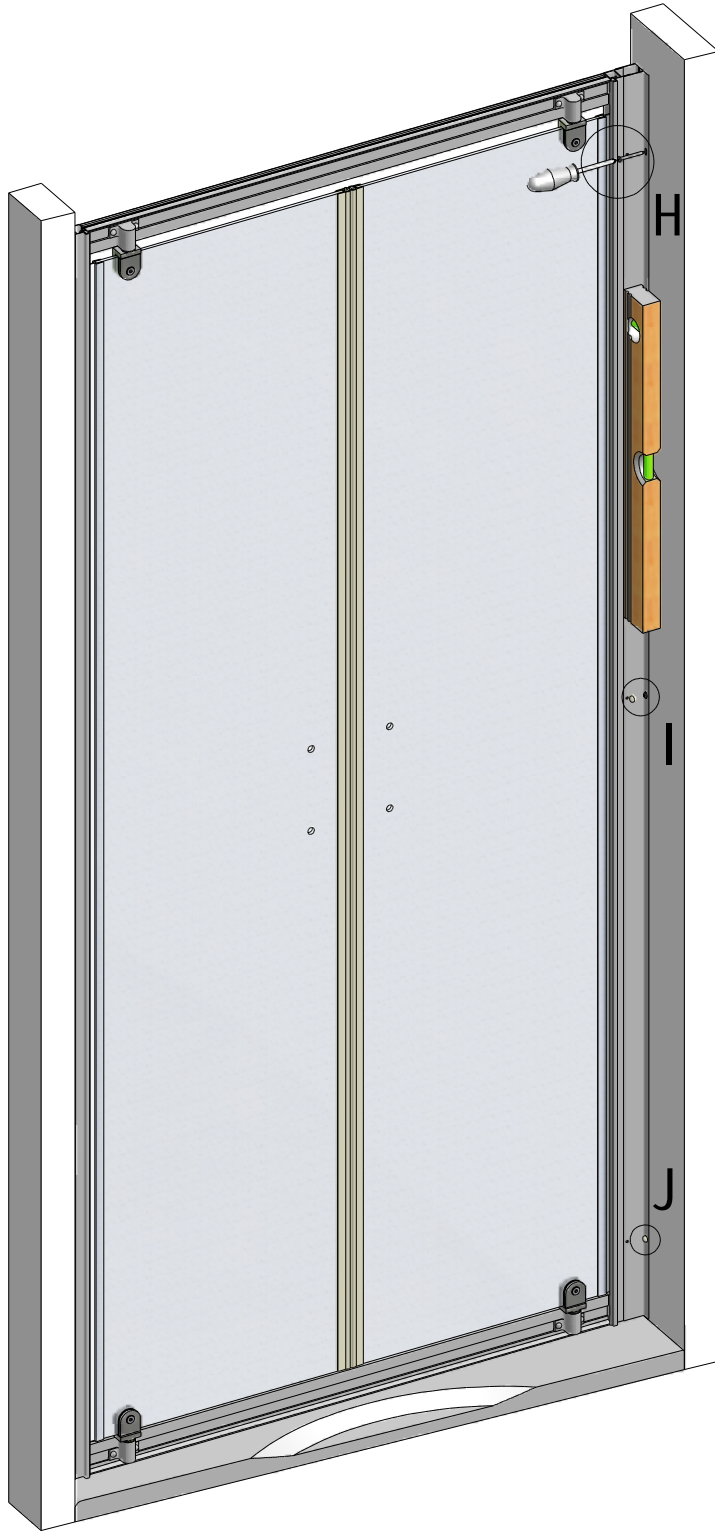


**F** 6x

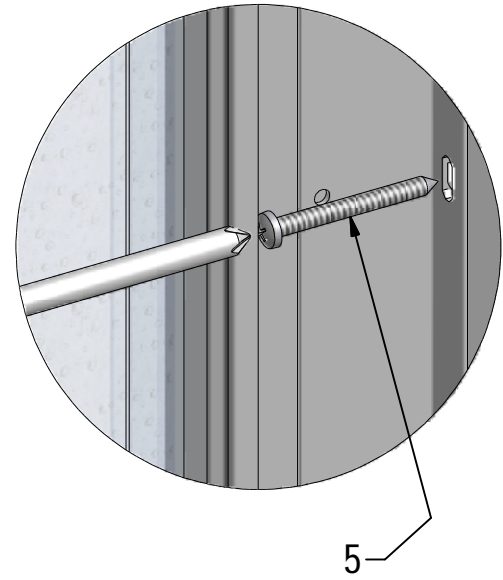


**G** 6x

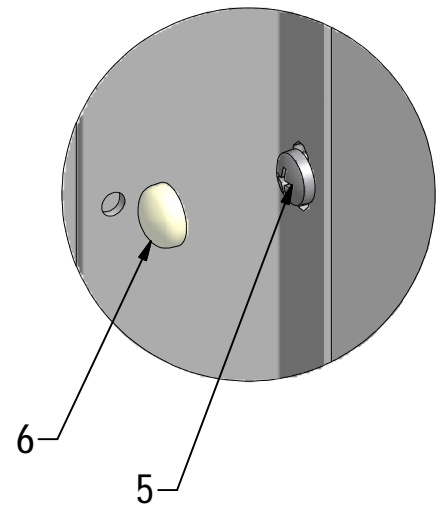




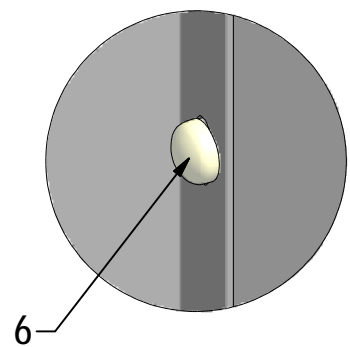
**H** 6x



**I** 6x



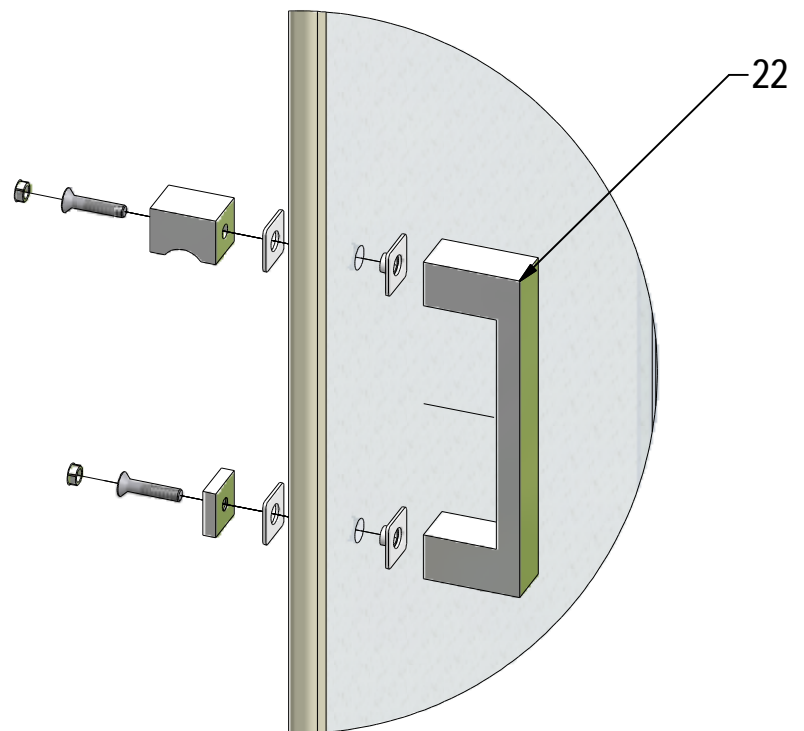
**J** 6x

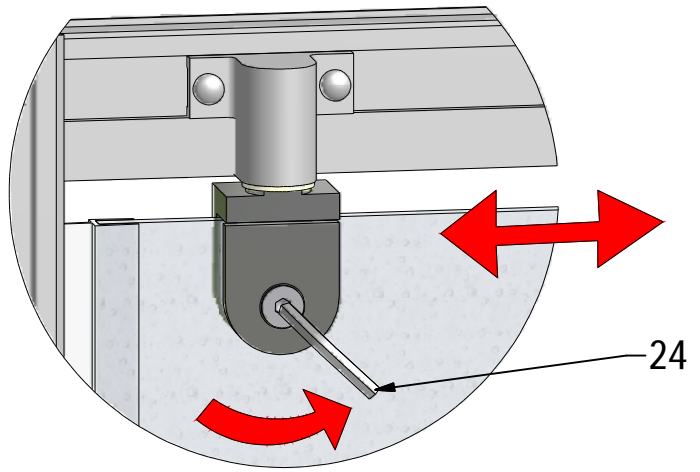
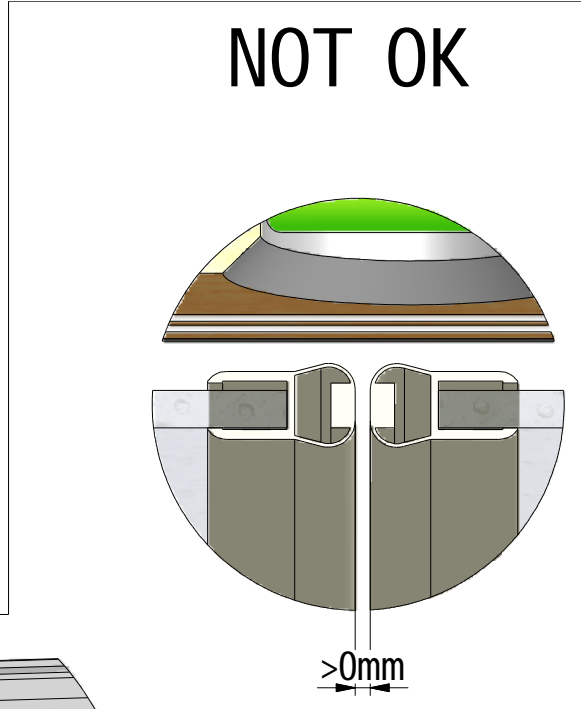
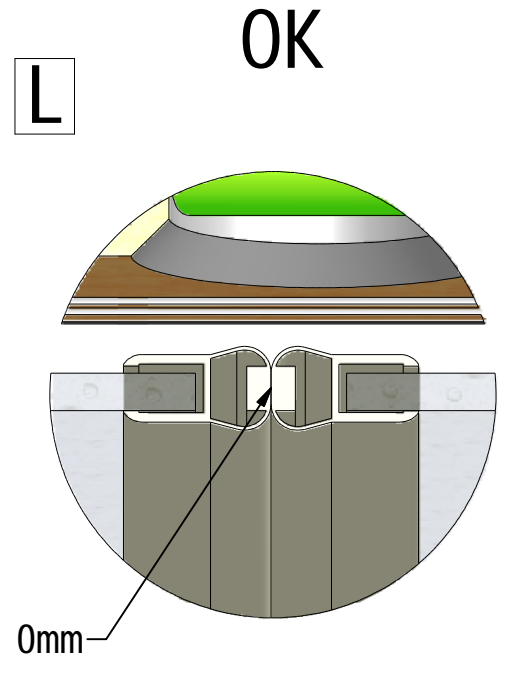




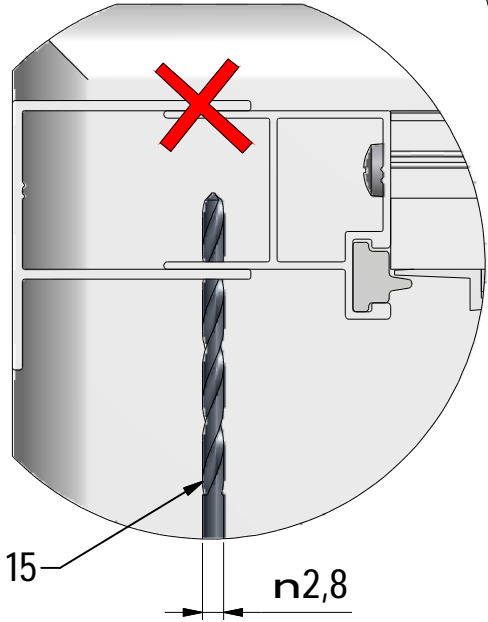


**K** 2x

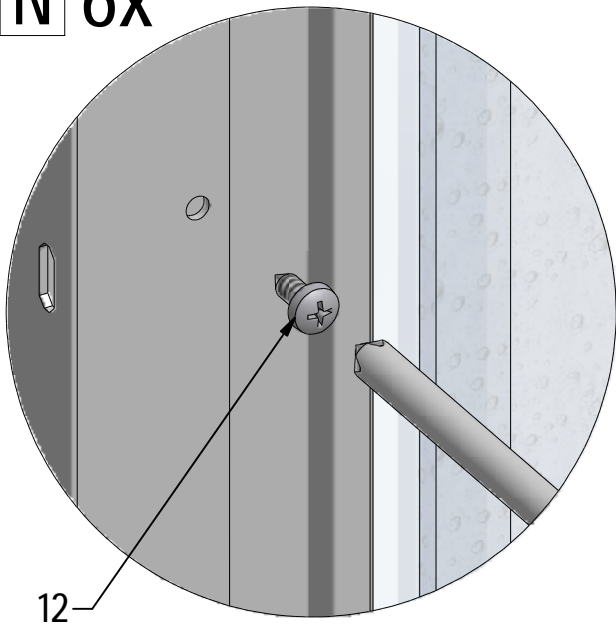




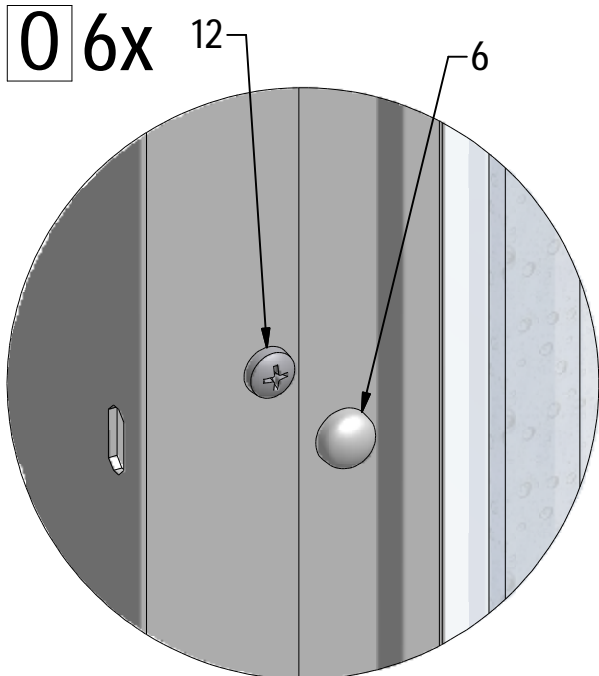
**M 6x**

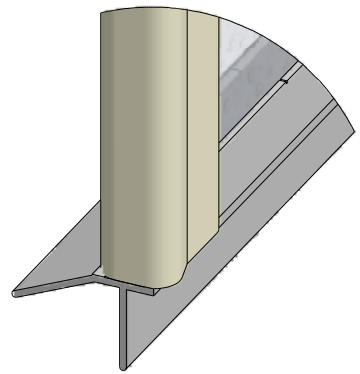


**N 6x**

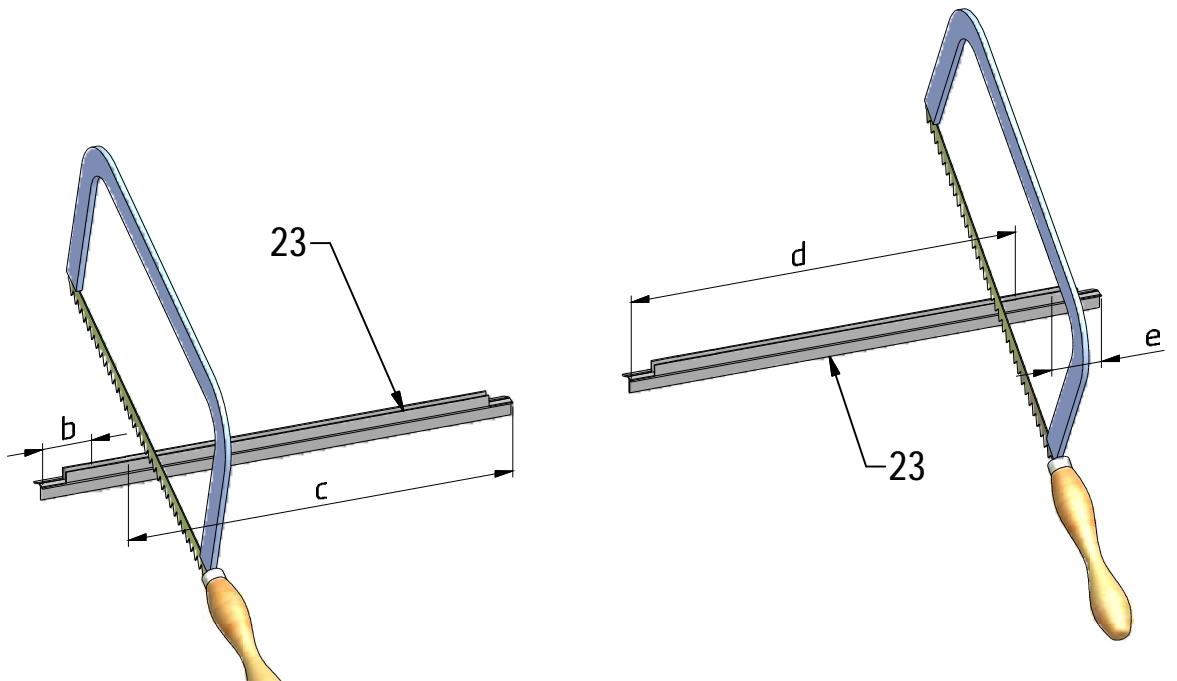
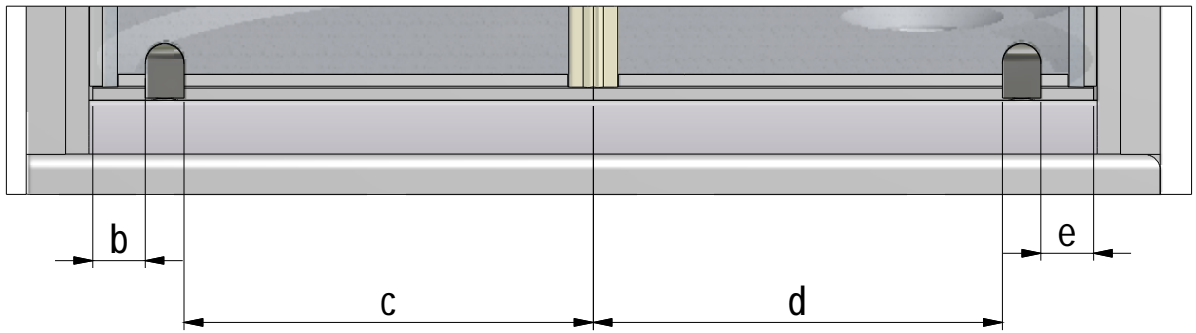


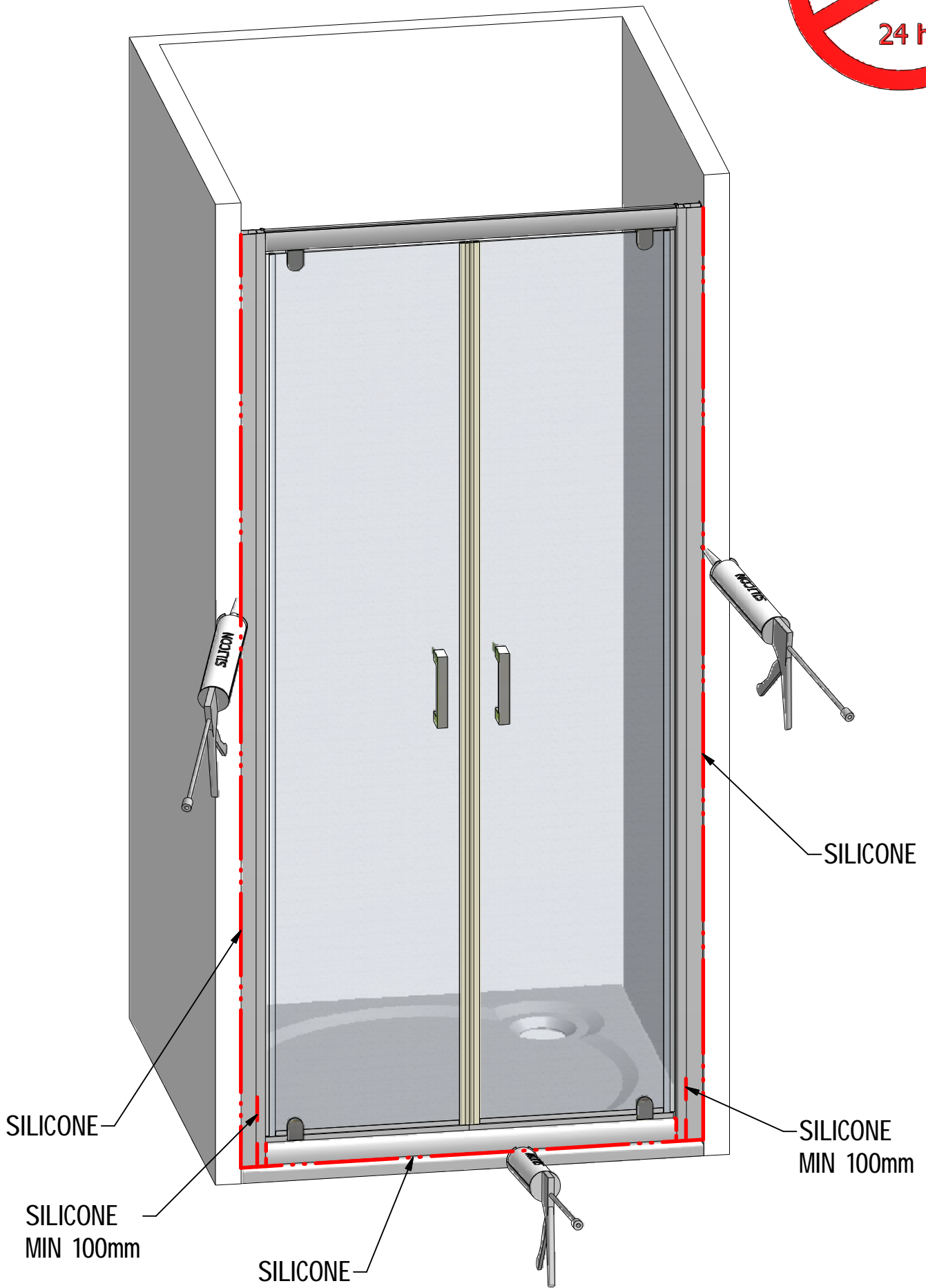
**O 6x**





R





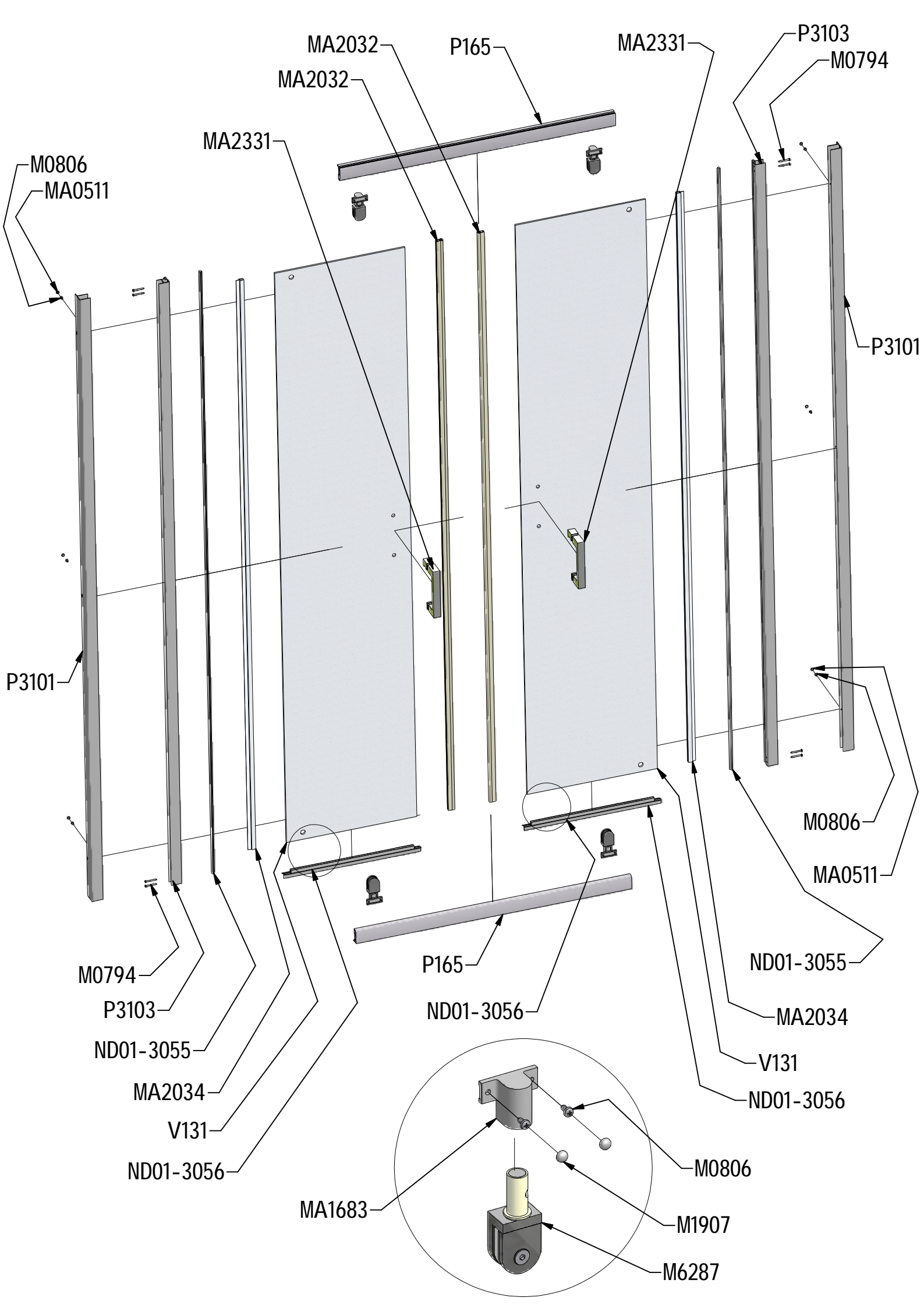
SILICONE

SILICONE  
MIN 100mm

SILICONE

SILICONE

SILICONE  
MIN 100mm



V131	700	clear glass	ND02-0661-02
	800	clear glass	ND02-0662-02
	900	clear glass	ND02-0663-02
	1000	clear glass	ND02-0664-02

P165	700	brillant	P3342
	800		P3343
	900		P3344
	1000		P3345

