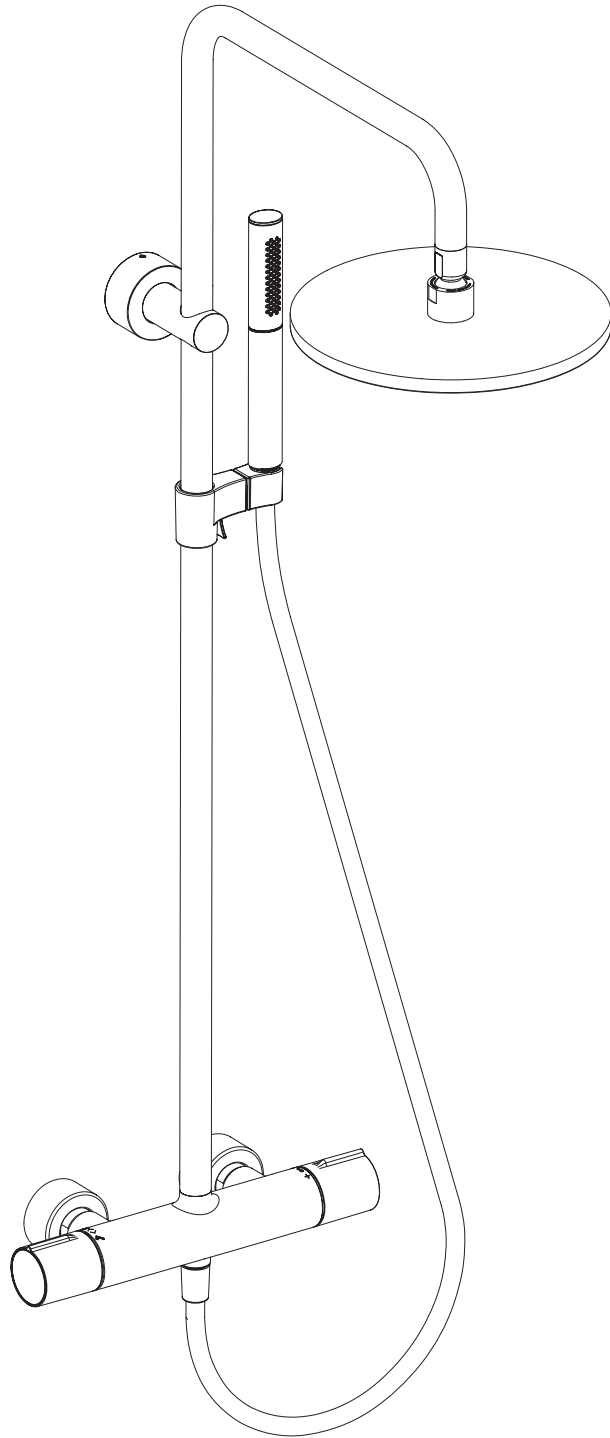
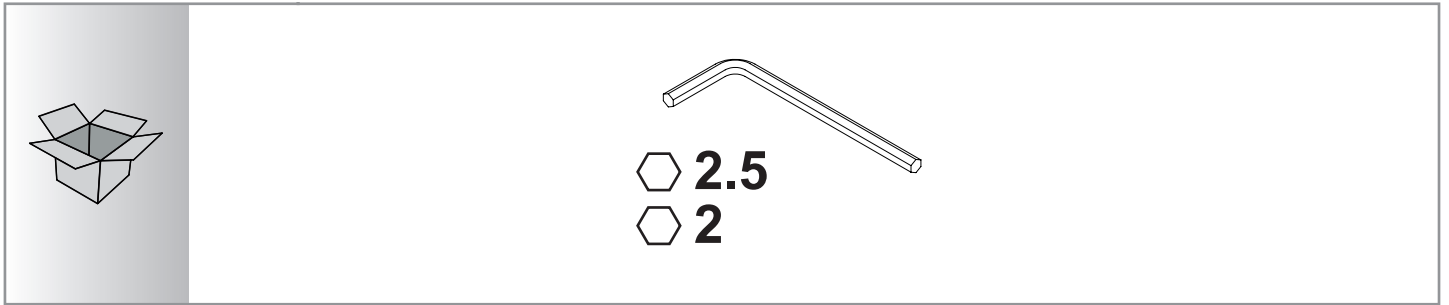
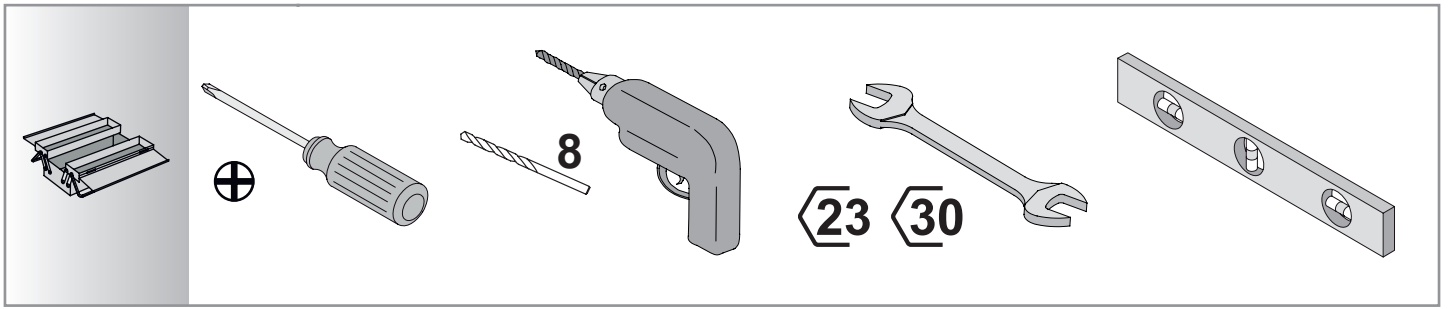


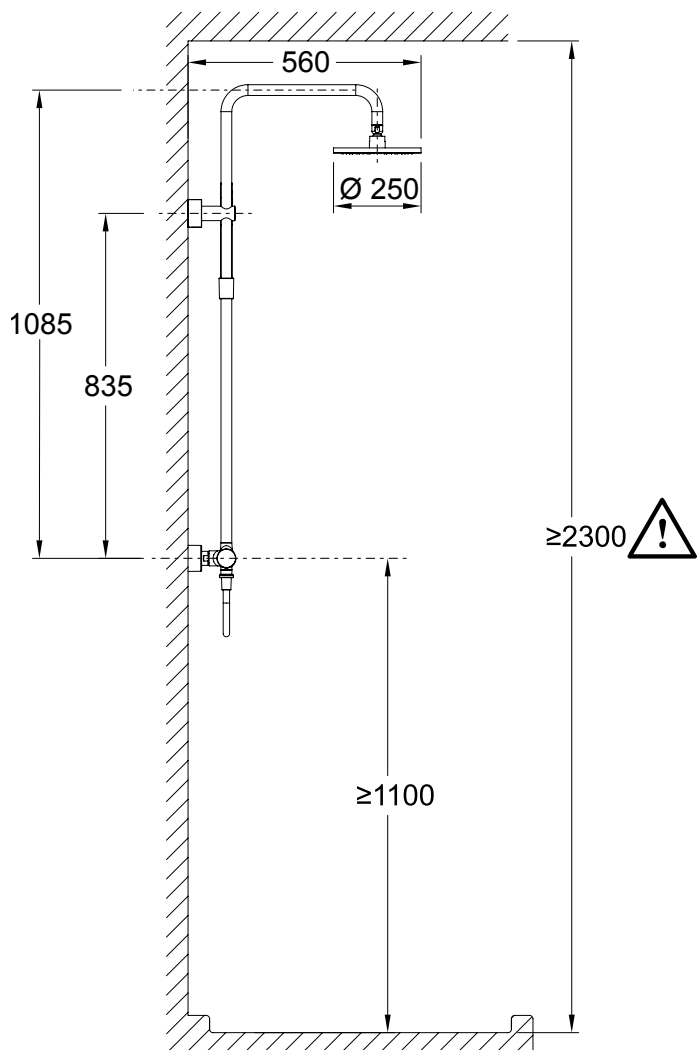
Jacob Delafon



TOOBI

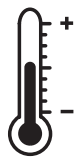





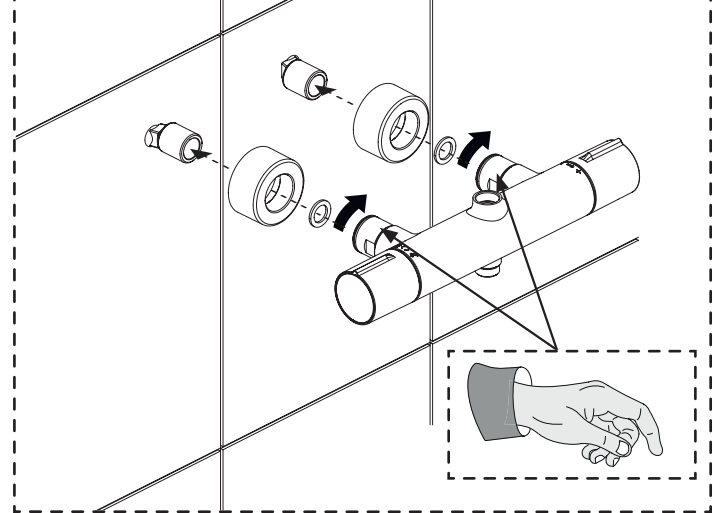
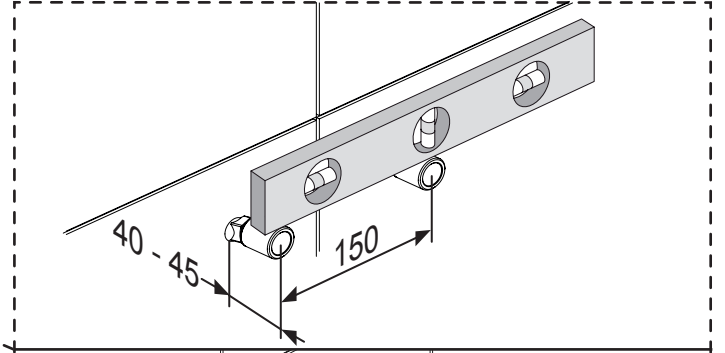
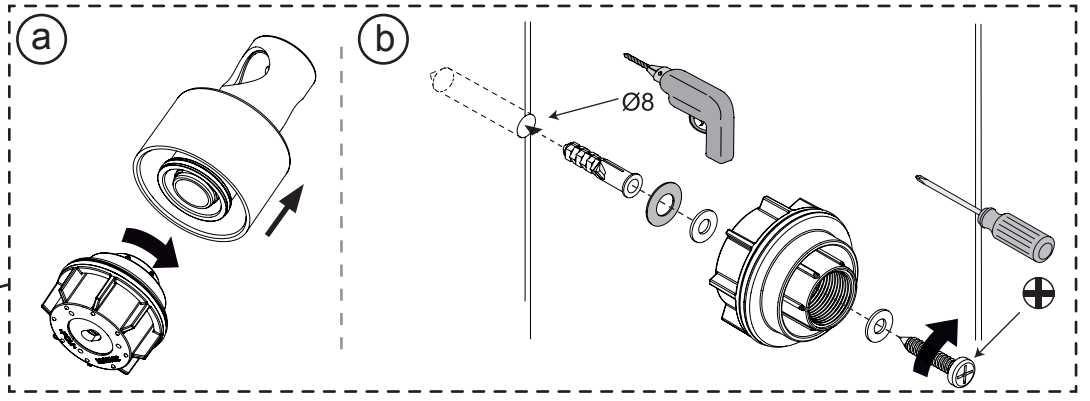
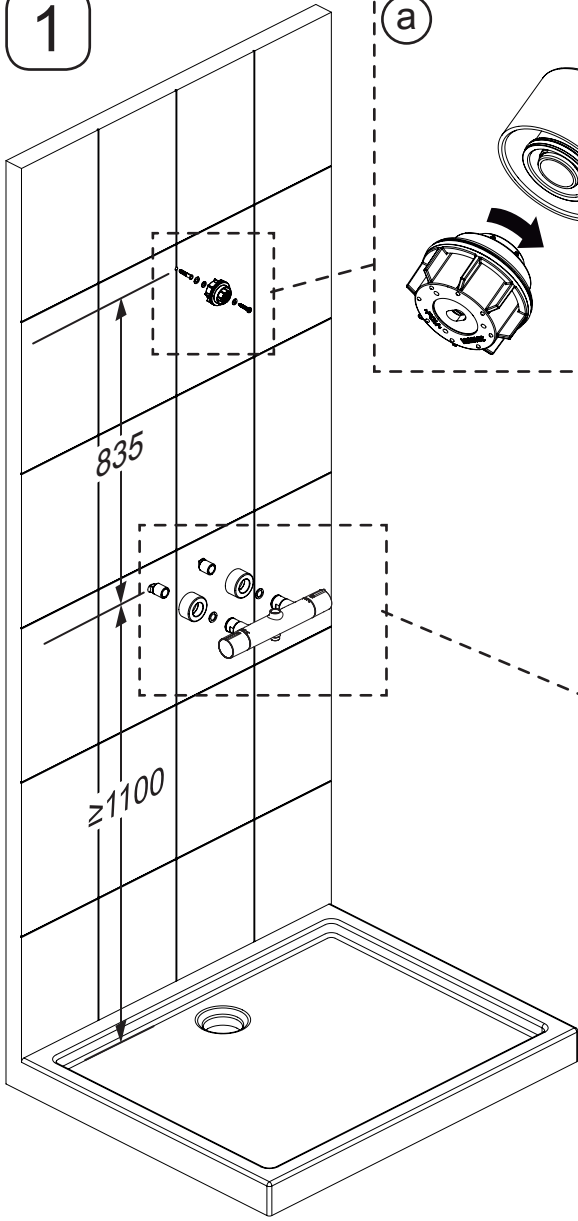
E8993-**



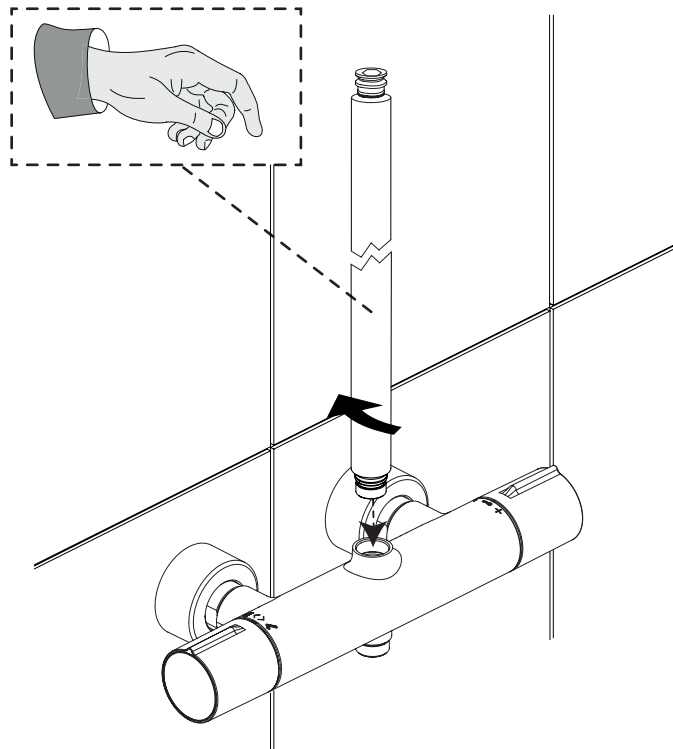
	
P	Bar
0.5 < 3 < 6 	

	
T	°C
55 < 60 < 65 	

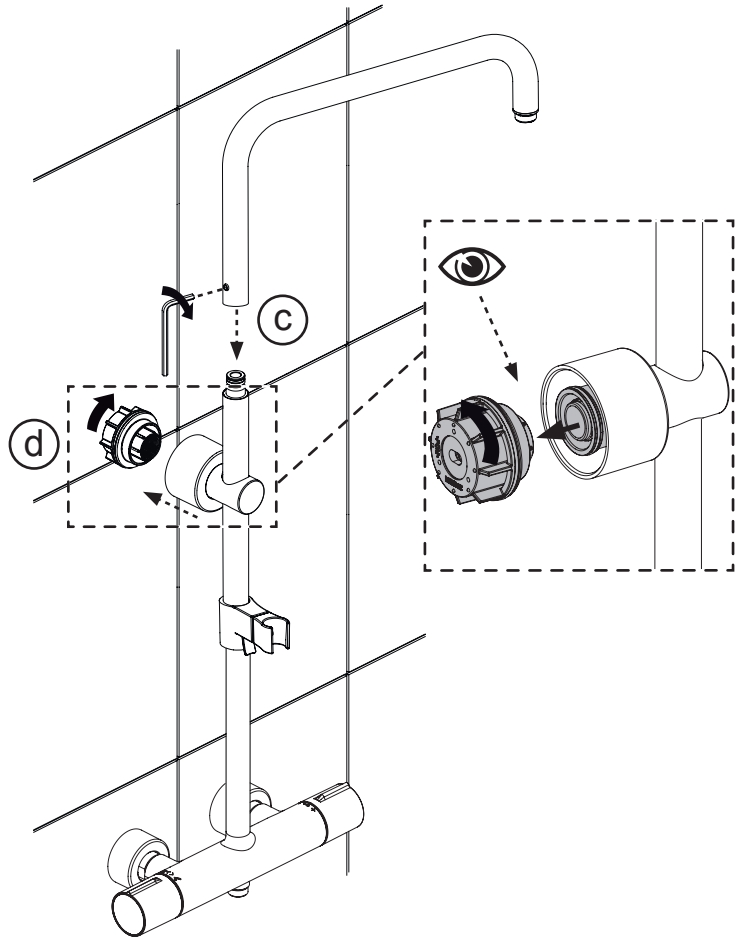
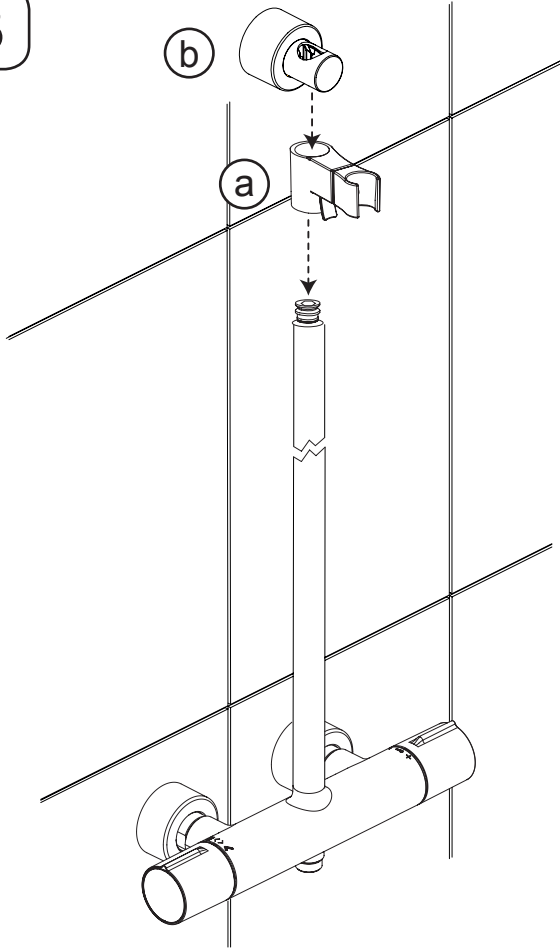
1



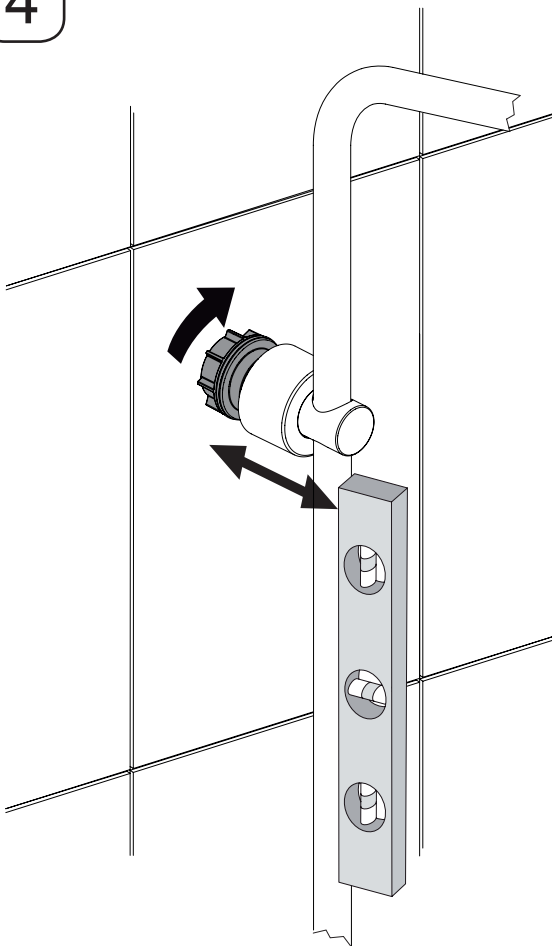
2



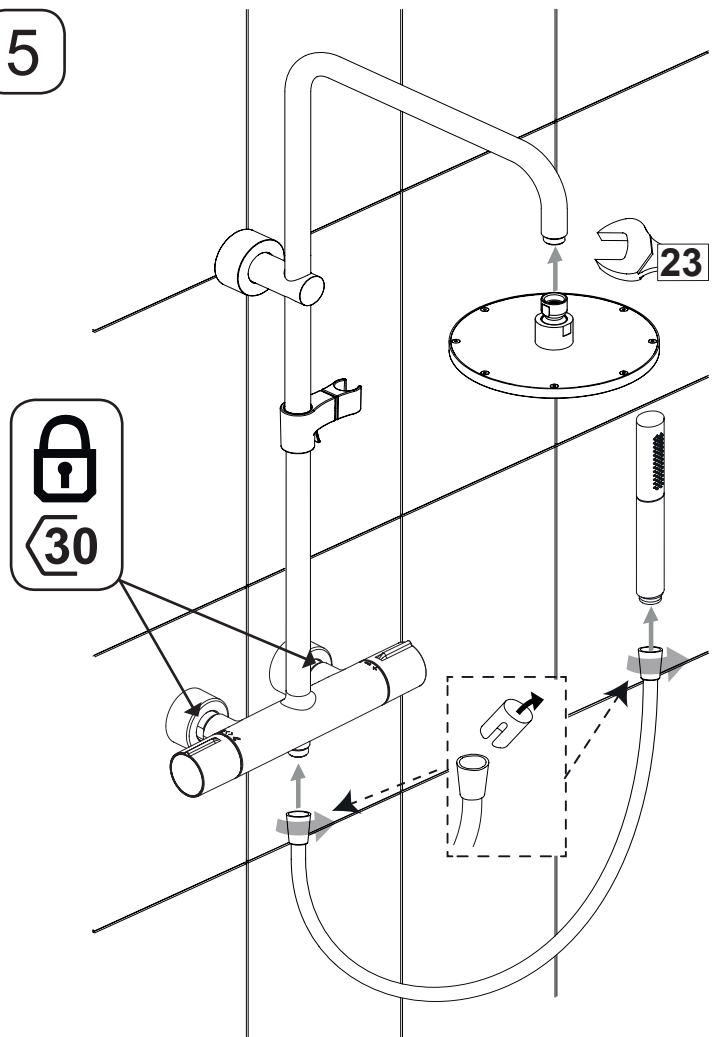
3



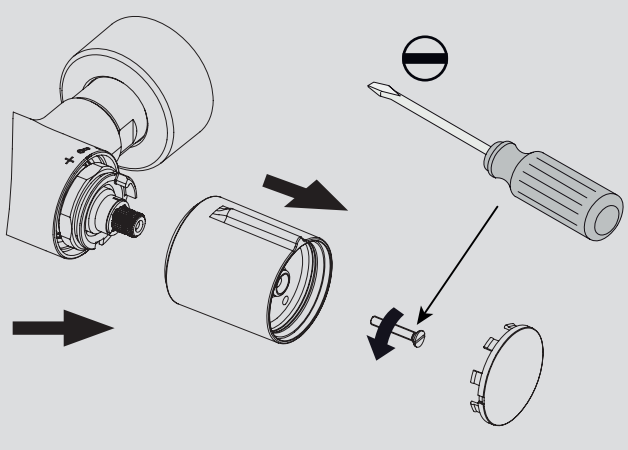
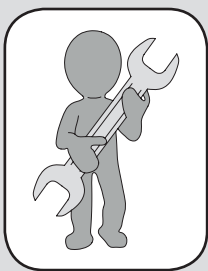
4



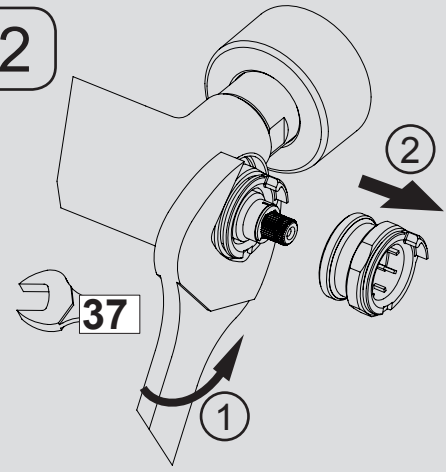
5



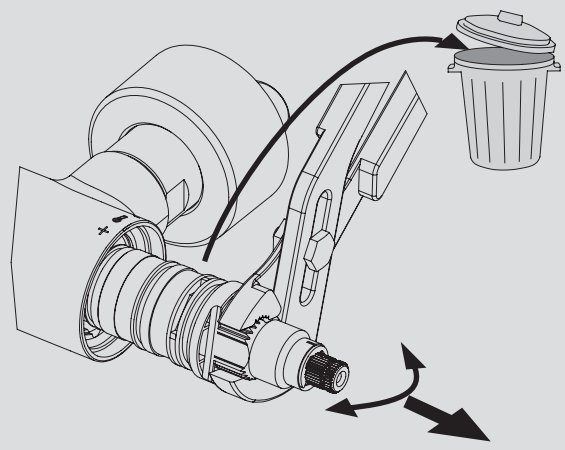
1



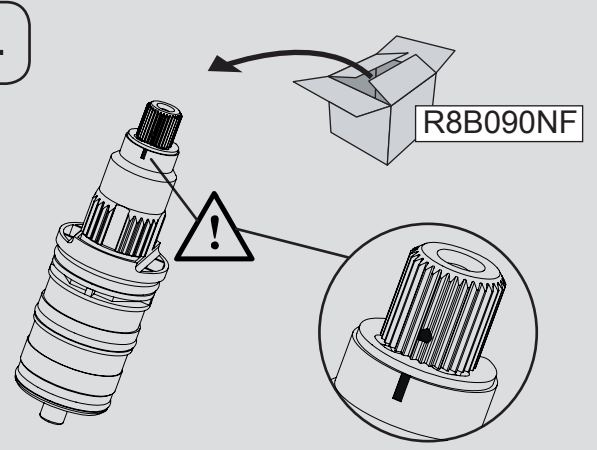
2



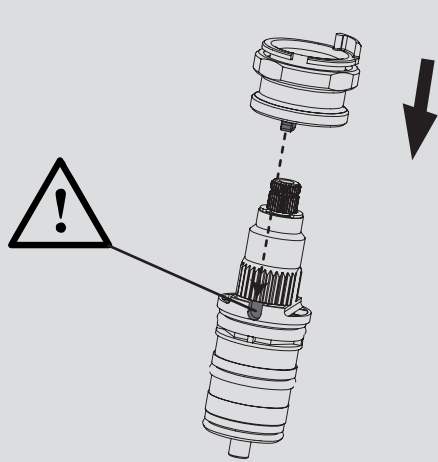
3



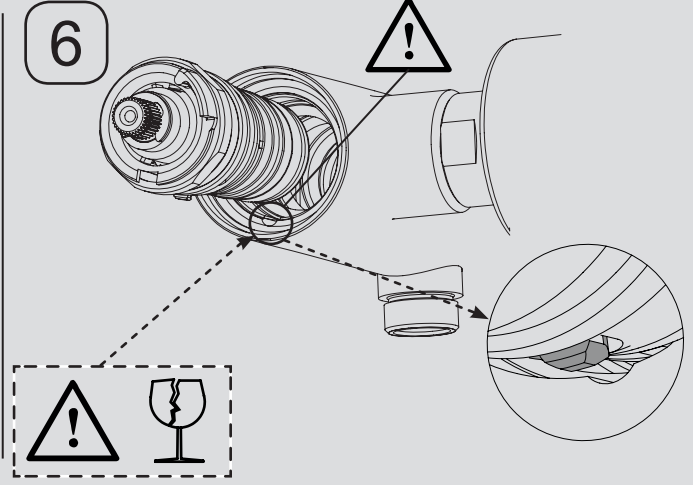
4



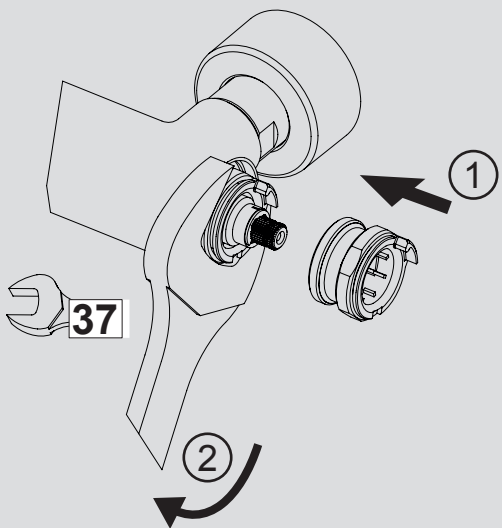
5



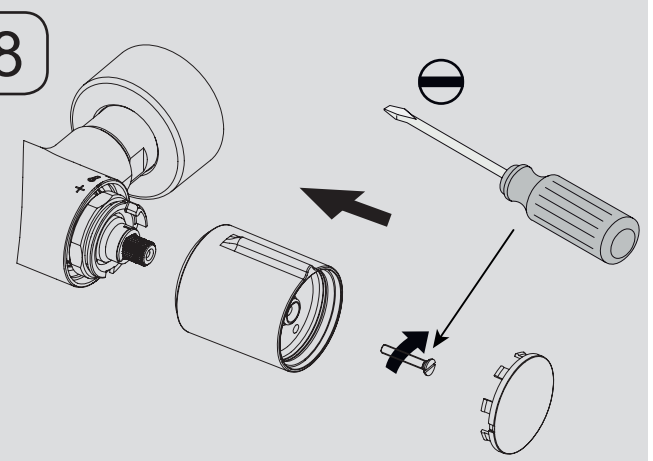
6

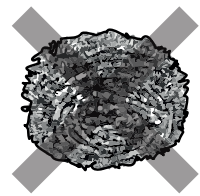
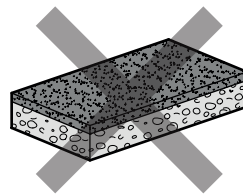
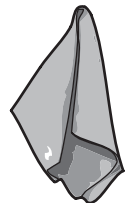
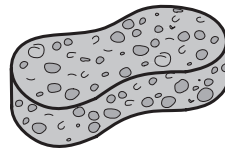
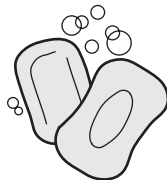
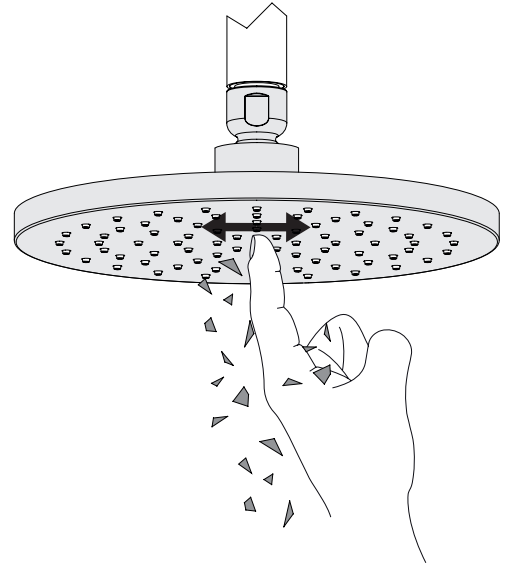
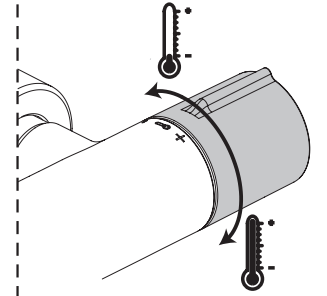
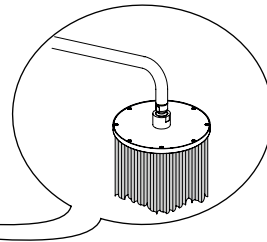
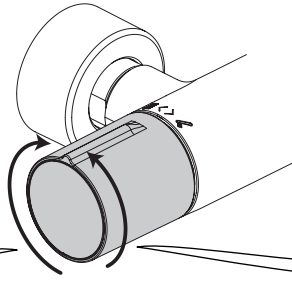
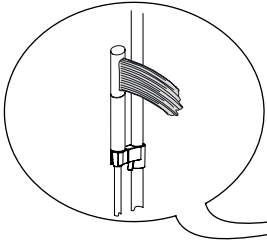
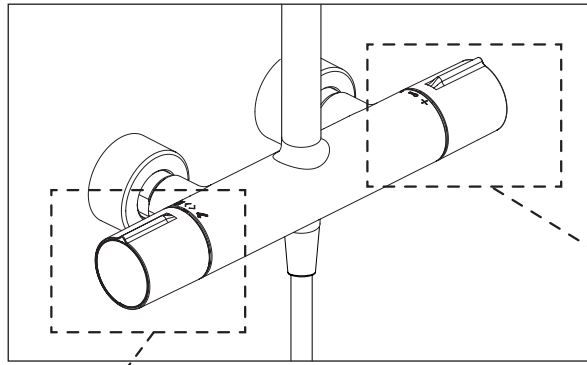


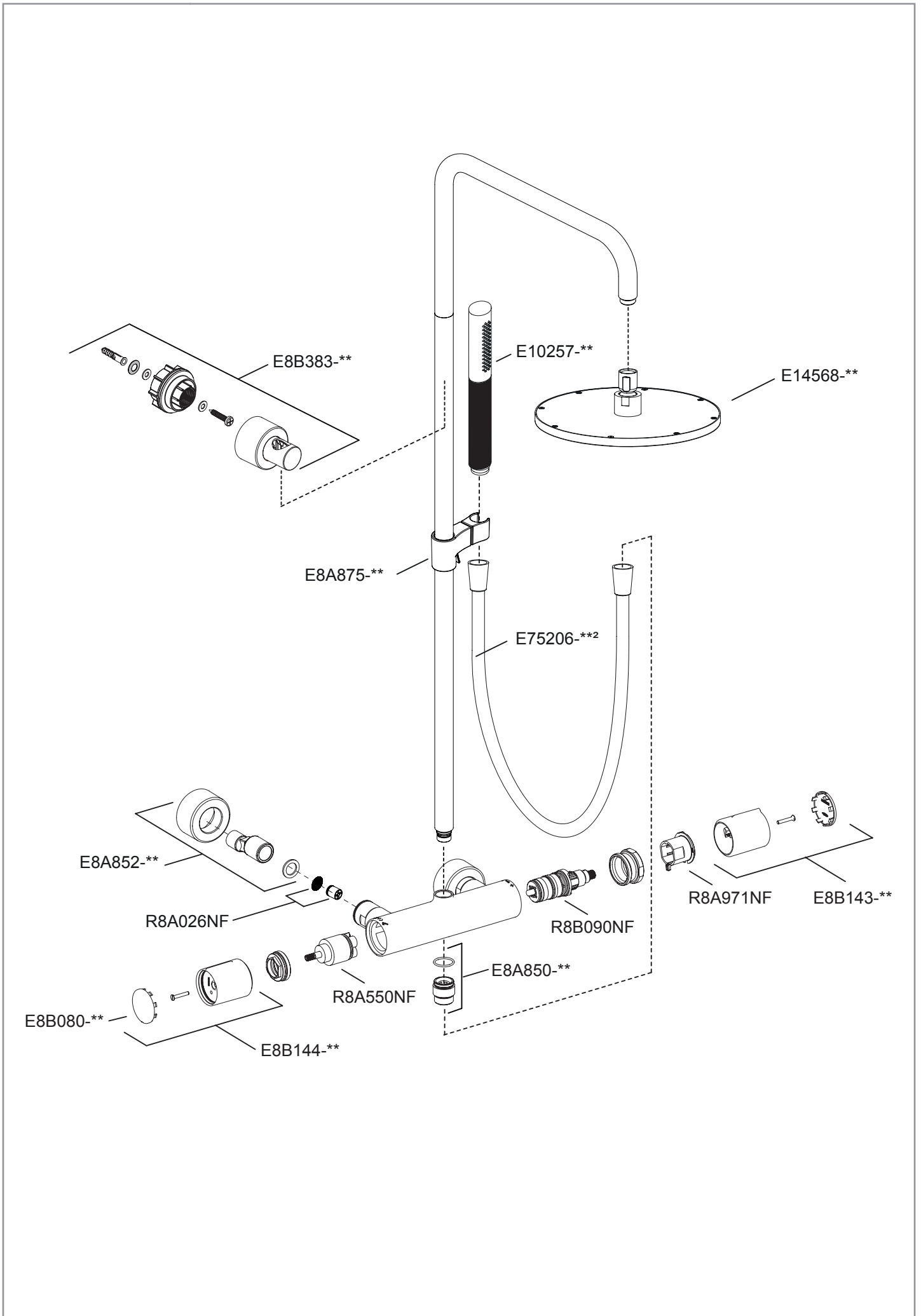
7



8







Jacob Delafon